



Available finish:- White

Read these instructions before commencing installation. Please give these instructions to the owner/occupier after installation to retain for future reference/maintenance.

IP20/IP67 220-240V~50/60Hz

These fittings are Class II and do not require an Earth

Important Information

It is recommended that these drivers are installed and fitted by a qualified electrician ensuring the installation complies with current IEE wiring regulations & local building control. These products are designed for connection to a 220-240V~50/60Hz supply.

Any faulty, broken or damaged drivers should be replaced immediately.

KSR will not accept responsibility for any claims arising from a poor installation.

Please Note: The limited warranty shall be deemed null and void in the following circumstances: Failure by the installer, end user or any third party to exercise caution to protect any covered product or part from outside damage, temperature range, humidity conditions, fluctuations in the electrical system or physical abuse as well as failure related to workmanship in the installation of the products or parts.

Important User Advice

Always switch off mains supply before servicing/installing.

Always check the driver is correct for the application, including its Voltage and Amperage. Failure to do this can result in damage to the driver or luminaire!!

At the end of life the drivers are classed as WEEE under directive 2014/30/EU and should be disposed of in accordance with local legislation.

Installation Procedure

Familiarize yourself with the driver ensure the load is suitable for the driver, ensure the power is safely isolated before installing. Install in a suitable location.

IP20 - Remove the 4 screws that are securing the 2 terminal block covers.

Connect the primary (PRI) to the mains supply (Blue - Neutral, Brown - Live).

Connect the secondary (SEC) to the low voltage luminaire (Positive and Negative).

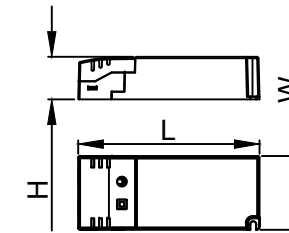
Turn on mains supply and test.

IP67 - Connect the primary (PRI) to the mains supply (Blue - Neutral, Brown - Live) using a suitable IP rated connector.

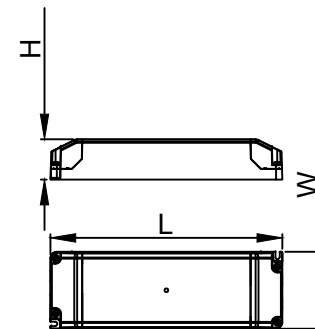
Connect the secondary (SEC) to the low voltage luminaire (Positive and Negative) using a suitable IP rated connector.

Turn on mains supply and test.

Dimmable using the recommended dimmers listed on our website www.ksrlighting.com



KSRDL292



KSRDL293 & KSRDL294



KSRDL295 & KSRDL296

Product Code	Input Voltage	Min/Max Output (W)	Output Current (A)	Inrush Current	Output Voltage	Power Factor (λ)	Ta (°C)	Tc (°C)	Dimensions LxWxH (mm)	Weight (g)	Class	IP Rating
KSRDL292	220~240	2.5~25	0.1~1.04	5A	24v	0.95	-20~+50	70	128 x 52 x 30	110	II	20
KSRDL293	220~240	12~50	0.5~2.08	5A	24v	0.95	-20~+50	70	184 x 61 x 32	240	II	20
KSRDL294	220~240	33~100	1.4~4.2	50A	24v	0.95	-20~+45	80	210 x 67 x 34	360	II	20
KSRDL295	220~240	33~100	1.4~4.2	45A	24v	0.95	-20~+50	80	191 x 70 x 40	980	I	67
KSRDL296	220~240	67~200	2.7~8.3	65A	24v	0.95	-20~+50	80	249 x 72 x 40	1240	I	67



KSR Lighting Aftersales: 023 92 674343
E-mail: aftersales@ksrlighting.com