

24V Constant Voltage Drivers

Accessories



Product Information

Our 24V Constant Voltage LED driver range is available in 11 versions, these are suitable for products that require a 24V Constant Voltage such as our Navara LED tape or Mimis Mini Range.

With IP20, IP65 & IP67 drivers available this range covers a broad range of applications.

Product Features

- 1 year warranty
- 24V Constant Voltage
- IP20/IP65/IP67
- Class II
- Polycarbonate Construction for IP20 & IP65 version
- Polycarbonate potted driver for IP65 version & Die cast aluminium potted driver for IP67 version
- Mains Dimmable versions support leading and trailing edge dimming

Product Specification

Product Code	Product Description	Max load	Current rating	Voltage Range	Types of Dimming	IP Rating	Protection Class
KSRDL274	4W 24V Constant Voltage IP65 LED Driver	4W	0.17A	24	Non-Dimmable	65	II
KSRDL276	240W 24V Constant Voltage LED Driver	240W	2.6A	24	Non-Dimmable	67	II
KSRDL277	320W 24V Constant Voltage LED Driver	320W	3.5A	24	Non-Dimmable	67	II
KSRDL287	20W 24V Constant Voltage Driver	20W	0.8A	24	Non-Dimmable	67	II
KSRDL288	60W 24V Constant Voltage Driver	60W	1.3A	24	Non-Dimmable	67	II
KSRDL289	100W 24V Constant Voltage Driver	100W	2.1A	24	Non-Dimmable	67	II
KSRDL292	25W 24V Dimmable Constant Voltage Driver	25W	1.04A Max	24	Leading and Trailing edge	20	II
KSRDL293	50W 24V Dimmable Constant Voltage Driver	50W	2.08A Max	24	Leading and Trailing edge	20	II
KSRDL294	100W 24V Dimmable Constant Voltage Driver	100W	4.2A Max	24	Leading and Trailing edge	20	II
KSRDL295	100W 24V Dimmable Constant Voltage Driver	100W	4.2A Max	24	Leading and Trailing edge	67	I
KSRDL296	200W 24V Dimmable Constant Voltage Driver	200W	8.3A Max	24	Leading and Trailing edge	67	I

Nominal voltage	220-240VAC
Operating frequency	50/60Hz
Ambient temperature range	0°C~+35°C

Construction

KSRDL274-287-294

Body: Polycarbonate

KSRDL276-277 &

295-296 Body: Aluminium

Standards

BSEN60598-1:2021 Luminaires – Part 1: General requirements and tests

www.ksrlighting.com

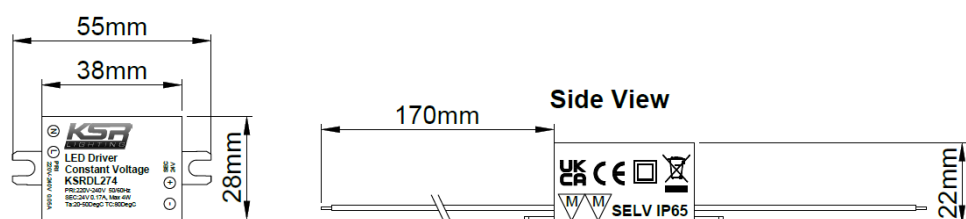
KSR 24v Constant Voltage LED Driver Range – DS-B – 11th September 2023

In Conformity with

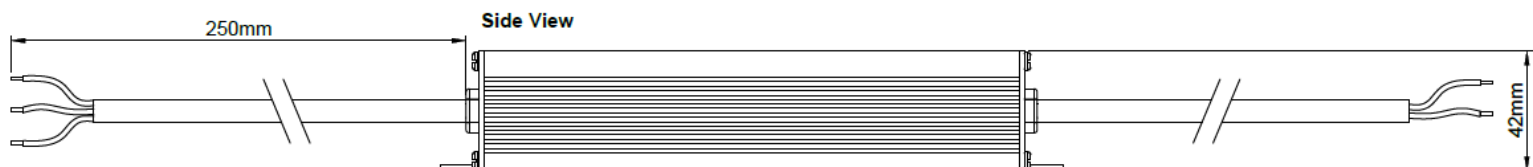
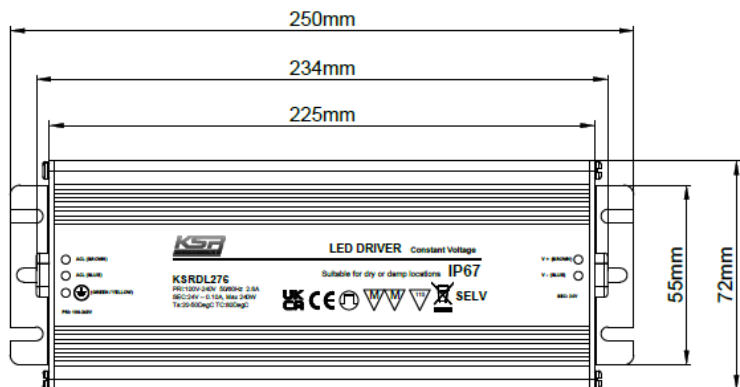
LVD	Low voltage directive 2014/35/EU
EMC	Electromagnetic compatibility directive 2014/30/EU
ERP	Energy related products directive 2019/2020/EC
RoHS	Restriction of hazardous substances 2015/863/EU

Product Dimensions

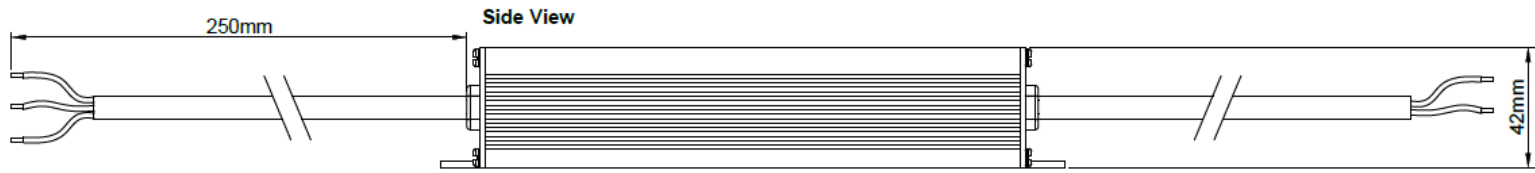
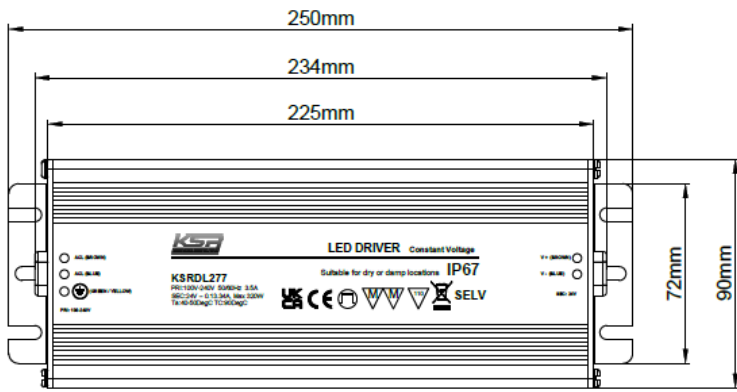
KSRDL274 - Top View



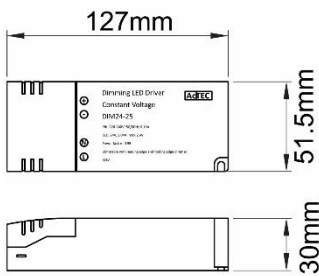
KSRDL276 - Top View



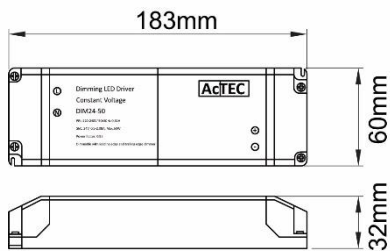
KSRDL277 - Top View



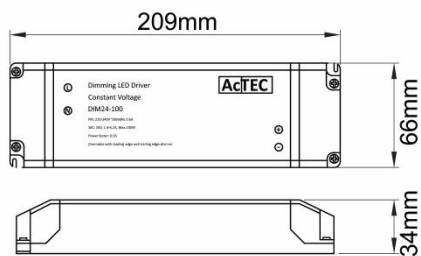
KSRDL292



KSRDL293

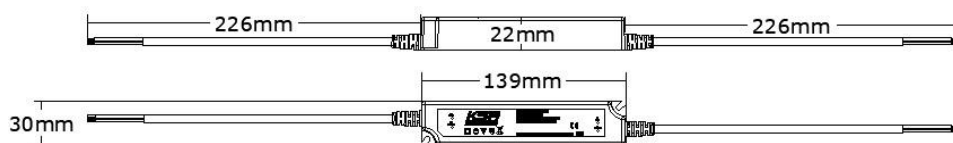


KSRDL294

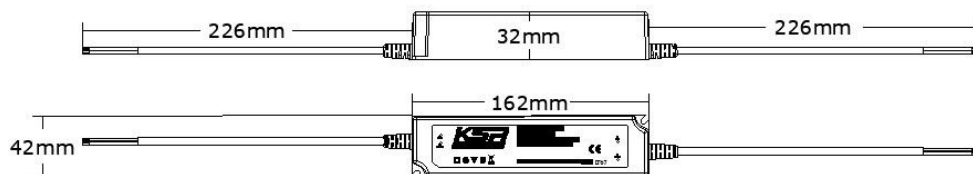


Product Dimensions Continued

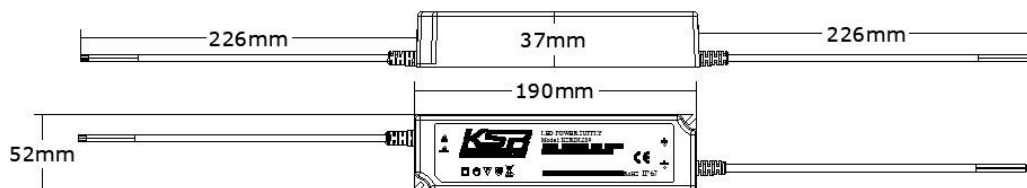
KSRDL287



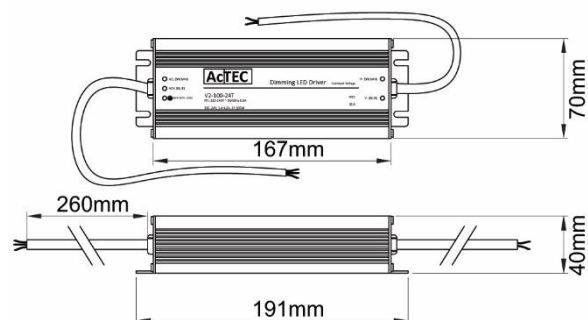
KSRDL288



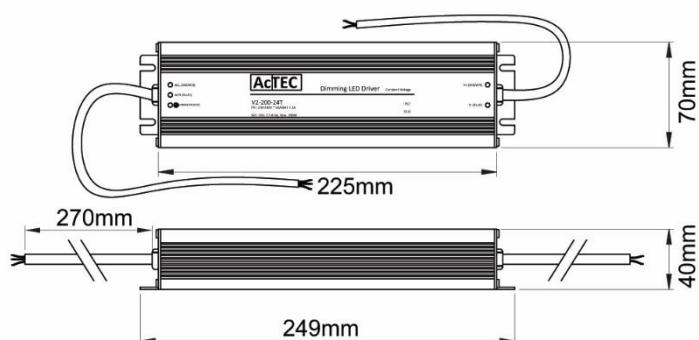
KSRDL289



KSRDL295



KSRDL296



KSR Lighting is constantly developing and improving its products. For this reason, all product descriptions in this data sheet are intended as a general guide, and KSR may change specifications from time to time in the interest of product development, without prior notification or public announcement. All descriptions in this data sheet present only general particulars of the goods to which they refer and shall not form part of any contract. Data in this guide has been obtained in controlled experimental conditions. However, KSR Lighting cannot accept any liability arising from the reliance on such data to the extent permitted.