



Read these instructions before commencing installation. Please give these instructions to the owner/occupier after installation to retain for future reference/maintenance.

Available Rims: Various please visit [www.ksrlighting.com](http://www.ksrlighting.com) for options

IP65 IK10 240V~50Hz 10W/14W/20W

These fittings are Class II and do not need an Earth, but Earth provision is provided.

**Important Information**

It is recommended that these luminaires are installed and fitted by a qualified electrician ensuring the installation complies with current IEE wiring regulations & local building control. These products are designed for connection to a 240V~50Hz supply.

Any faulty, broken or damaged luminaires should be replaced immediately.

KSR will not accept responsibility for any claims arising from a poor installation.

Please Note: The limited warranty shall be deemed null and void in the following circumstances: Failure by the installer, end user or any third party to exercise caution to protect any covered product or part from outside damage, adverse temperature (normal operating ambient temperature -10°C - +30°C), humidity conditions, fluctuations in the electrical system or physical abuse as well as failure related to workmanship in the installation of the products or parts.

**Important User Advice**

Always switch off mains supply before servicing.

Do not use Megger or similar high voltage instruments. Due to the fact this luminaire contains electronic components that maybe damaged by high test voltages, they must be disconnected from the circuit before testing.

To prevent damage to the driver, do not mix with conventional magnetic ballasts on the same electrical circuit.

At the end of life the luminaire is classed as WEEE under directive 2014/30/EU and should be disposed of in accordance with local legislation.

**Installation Procedure**

Isolate mains supply before installation.

Unscrew and retain the four screws and remove the diffuser.

Unlock the LED tray by turning the retaining lug anti-clockwise as shown in Fig.1 and lift the hinged tray to gain access to the wiring terminals.

Pass intended supply wires through grommet.

Ensure the fixing surface is flat and even.

Fix base to the wall, ceiling or besa box using adequate fixings with regard to the type of surface.

Ensure incoming cables are protected.

Terminate wiring as per Fig. 2, please note an Earth terminal is only supplied to aid the continuation of the Earth circuit.

Select LED colour and wattage required using the switches on the LED driver Note: Never change the LED colour or wattage with the luminaire powered on as this can damage the luminaire. Fig. 3.

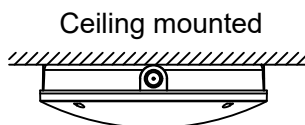
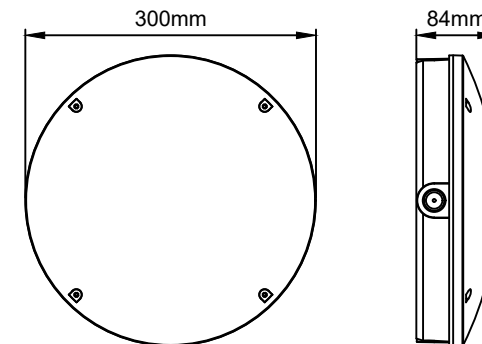
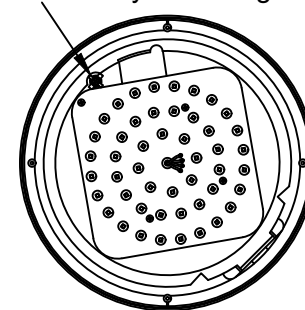
Proceed to Re-secure the LED tray by turning the retaining lug clockwise.

Make sure the seal is in place in the diffuser and undamaged.

Replace the diffuser re-secure using the four retained screws.

Turn on the mains supply and test luminaire.

Fig. 1 Gear Tray Retaining Lug



Wall mounted

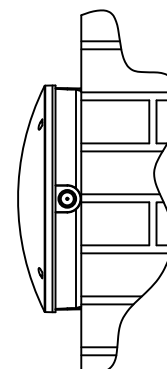


Fig. 3

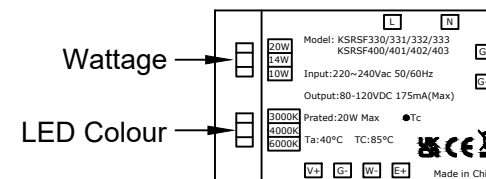
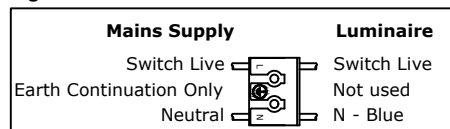


Fig. 2



**Lamp Details**

Lamp: LED  
 Wattage: 10W, 14W, 20W  
 Colour: 3000K, 4000K and 6000K CCT  
 CRI: Ra>84

CCT	Lumen output		
	3000K	4000K	6000K
10W	1145lm	1261lm	1212lm
14W	1457lm	1658lm	1559lm
20W	1819lm	2126lm	1947lm

*This product contains a light source of energy efficiency class F. The LED light source and Control Gear in this product is replaceable by a professional.*

KSR Lighting Aftersales: 023 92 674343  
 E-mail: [aftersales@ksrlighting.com](mailto:aftersales@ksrlighting.com)

