



Roma 5CCT & Multi-Wattage

Commercial Lighting

Data Sheet



Product Information

The **Newly improved KSR Roma 5CCT & Multi Wattage** fittings are the ultimate bulkhead solution. **Now with selectable 5CCT & complete with side conduit entry and knockout points** on the rims. Making them a more versatile bulkhead than ever before.

Designed to match the other 2 sizes (**Mini & XL**) the Roma range can cover all your bulkhead requirements.

KRSF400 Shown with KRSF411 Rim



Product Features

- 5-year warranty
- Class II
- IP65
- IK10
- 5 Selectable Colour Temperatures 2700K, 3000K, 4000K, 5000K or 6000K
- Selectable outputs - 9W, 14W & 18W LED
- CRI: Ra>83
- Up to 127 lumens per circuit Watt
- Wall or ceiling mountable
- Switchable Emergency versions available
- Microwave versions available
- Corridor Function versions available
- 4 side Conduit entry Points
- Suitable for Besa Box mounting
- L70 - 40,000hrs

Product Specification

Product Code	Product Description
KSRSF400	Roma Select LED Multi Wattage & 5CCT Surface Fitting
KSRSF401	Roma Select LED Multi Wattage & 5CCT Surface Fitting with Integral Switchable Self-Test/Non-Self-Test Emergency
KSRSF402	Roma Select LED Multi Wattage & 5CCT Surface Fitting with Microwave
KSRSF403	Roma Select LED Multi Wattage & 5CCT Surface Fitting with Microwave and Integral Switchable Self-Test/Non-Self-Test Emergency
KSRSF404	Roma Select LED Multi Wattage & 5CCT Surface Fitting with Corridor Function Mode
KSRSF405	Roma Select LED Multi Wattage & 5CCT Surface Fitting with Corridor Function Mode and Integral Switchable Self-Test/Non-Self-Test Emergency
Accessories	
KSRSF411	Roma Select Chrome Rim only for Above

Technical Data

	9W Output	14W Output	18W Output
Nominal voltage	220~240VAC	220~240VAC	220~240VAC
Operating frequency	50-60Hz	50-60Hz	50-60Hz
Circuit Wattage	9.18W including driver losses	14.2W including driver losses	18.7W including driver losses
Circuit Current	0.051A	0.078A	0.098A
PFC	0.763	0.804	0.823
In Rush Current	TBC	TBC	TBC
Ambient temperature range	0°C~+30°C	0°C~+30°C	0°C~+30°C
Start time	< 0.5 sec	< 0.5 sec	< 0.5 sec
IK rating	10	10	10
IP rating	65	65	65

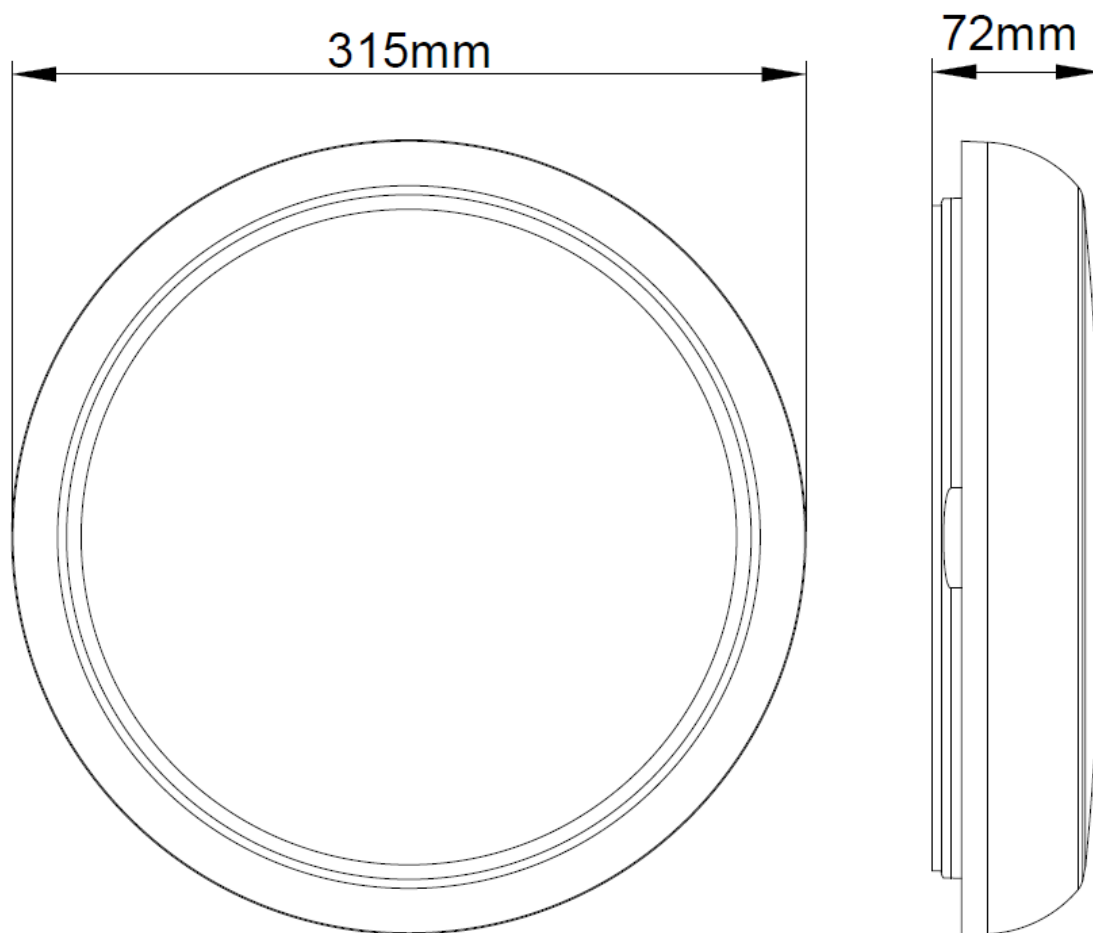
Wattage (W)	CCT (K)	Lumens (lm)	CRI (Ra)	Energy Efficiency Class 2021	Protection Class
9	2700K	1015lm	85	E	II
	3000K	1135lm	89		
	4000K	1145lm	89		
	5000K	1135lm	87		
	6000K	1140lm	83		
14	2700K	1420lm	85	E	II
	3000K	1670lm	89		
	4000K	1765lm	89		
	5000K	1740lm	87		
	6000K	1700lm	83		
18	2700K	1730lm	85	F	II
	3000K	2070lm	88		
	4000K	2135lm	89		
	5000K	2130lm	87		
	6000K	2050lm	83		
KSRSF401, 403 & 405	EM MODE	233lm			

Construction

Body:	Polycarbonate
Diffuser:	Polycarbonate
Rim:	ABS

Product Dimensions

KRSRF400-KRSRF405 Dimensions



KSR Lighting is constantly developing and improving its products. For this reason, all product descriptions in this data sheet are intended as a general guide, and KSR may change specifications from time to time in the interest of product development, without prior notification or public announcement. All descriptions in this data sheet present only general particulars of the goods to which they refer and shall not form part of any contract. Data in this guide has been obtained in controlled experimental conditions. However, KSR Lighting cannot accept any liability arising from the reliance on such data to the extent permitted.

www.ksrlighting.com

KRSRF400-KRSRF405-DS-A-23rd May 2024