

SMK23 Pattress

Surface Mount Pattress For models:

123I, 123/9HI, 123/9HILL, 123/9EI, 223I, 223/9I,
223/9ILL, 223/9HI, 223/9HILL, 323I, 323/9HI, 323/9HILL

Application

- This surface mount pattress is for use with KIDDE Fyrnetics, Hard Wired Smoke, Heat and CO Alarms, where surface cabling is being used, such as in retrofit applications.

Usage

- This is designed for installation by a qualified electrician, in accordance with the current IEE regulations. Failure to install correctly can result in a fatal shock or fire hazard.
- Alarms without battery back-up must be connected direct to the Consumer Unit on a separately fused spur – see current Building Regulations.
(AC models with battery back-up may be connected off an adjacent lighting circuit).
- Knock-outs on the underside and edge of the pattress provide flexibility of cable entry, for ease of use. A small rib on the edge of the pattress lines up with a mark on the alarms base plate, to ensure correct alignment.
- Site and select alarm type in accordance with manufacturer literature/manual shipped with alarm. Also refer to Building Regulation requirements if applicable, plus BS5839 Pt 6.
- Isolate mains power before commencing work.
- Never remove/refit the cable harness whilst mains power is present.



Crossing line and neutral connections or line and interconnect connections will fatally damage all interconnected alarms invalidating the guarantee.

- Never Meggar Test an installation, without disconnecting any connected alarms (this can permanently damage the alarm and invalidates the guarantee).



All interconnected alarms must be powered off the same fuse/circuit breaker.

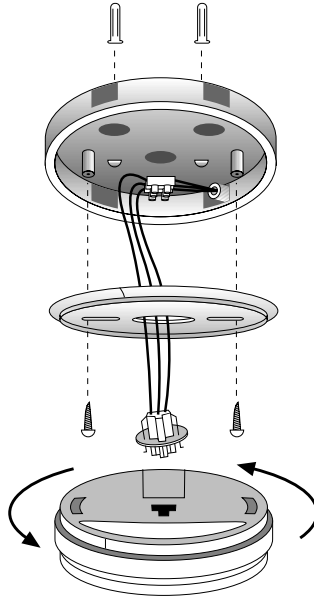


Total cable length between alarms must not exceed 250m (273yds) and be 1.5mm in diameter, 3 core and earth (BS6243Y).

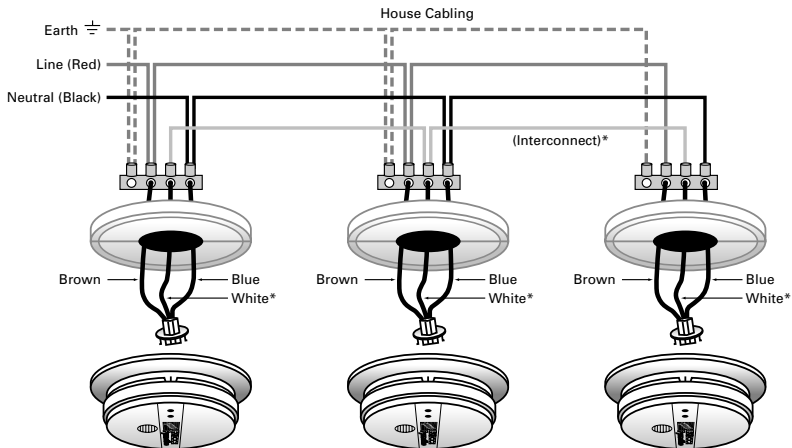
Important Notes

- As in illustration 1 (on reverse), bring mains cabling into pattress terminal block via knock-out selected and fix pattress to ceiling with 2 screws.
(If using dry lining box, select appropriate holes on pattress and secure with machine screws.)
- Wire in mains cabling to terminal block, looping "earth" in and out.
- Connect flying leads on alarm cable harness to appropriate terminals and ensure polarity is correct.
- Install and test alarm by following guidance in Installer Manual of alarm.

1.



2.



* Interconnect only – if single alarm installation, leave unconnected with sheathing intact.

These are double insulated products and do not need earthing – never use earth conductor to interconnect – use 3 core and earth (BS6243Y).

Connect to Terminal Block in ceiling cavity or via Surface Pattress.