

INSTALLATION & MAINTENANCE MANUAL

VFCxxx Series



GENERAL INSTRUCTIONS

These instructions should be read carefully and retained after installation by the end user for future reference and maintenance.

These instructions should be used to aid installation of the following products:

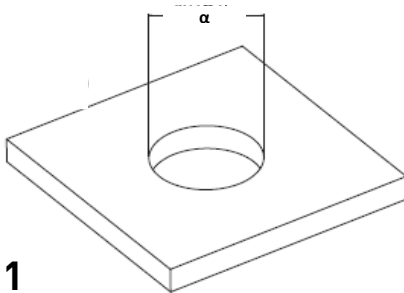
VFCDBC / VFCDW / VFCDL / VFCTBC / VFCTW / VFCTC / VFCIPBC / VFCIPW / VFCIPC

SAFETY

- Installation of this luminaire should only be carried out by a qualified electrician or competent person to the current IEE Wiring Regulations (BS7671)
- Please isolate mains prior to installation/maintenance
- Check the total load on the circuit (including when this luminaire is fitted) does not exceed the rating of the circuit cable, fuse or circuit breaker
- Please note the IP (Ingress of Protection) rating of this luminaire when deciding the location for installation
- We recommend a 50mm spacing around and above the fitting (for air dissipation)
- This product is Class I and requires an earth
- VFCDxx and VFCTxx are IP20 rated VFCIPxx is IP65 rated

INSTALLATION

- Provide power to the point of installation
- Cut a suitable hole in the ceiling as per the cut-out details in Fig 1 ensuring that it does not infringe with electrical cables, water / gas pipes or ceiling joists



Part code	Cut-out α (mm)
VFCDxx	65
VFCTxx	82
VFCIPxx	69

Fig1

- Slot terminal block into position on the fitting (see Fig 2)

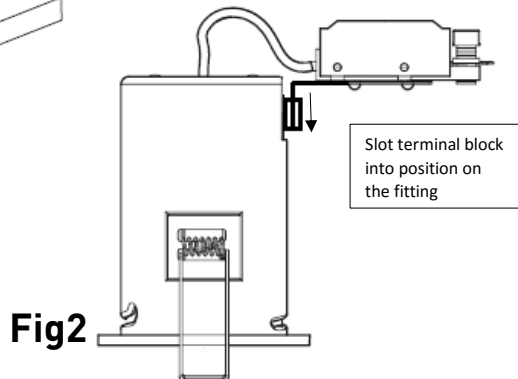


Fig2

- Remove the terminal access cover with the aid of a slotted screwdriver (see Fig 3)

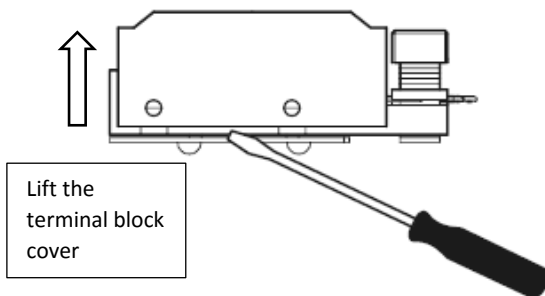


Fig3

- Connect the Live (brown), Neutral (blue) and Earth (green and yellow) to the push-fit terminal block ensuring the correct polarity is observed (see Fig 4). Ensure the cable clamp is used to secure the cable

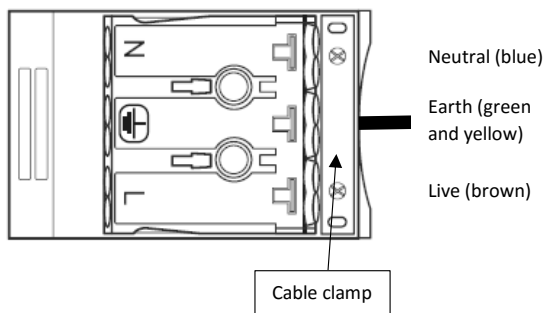


Fig4

- Two cables can be inserted into the push-fit terminal block in order to achieve loop in / loop out wiring
- Lift both of the spring clips either side of the fitting and push into the ceiling (see Fig 5)

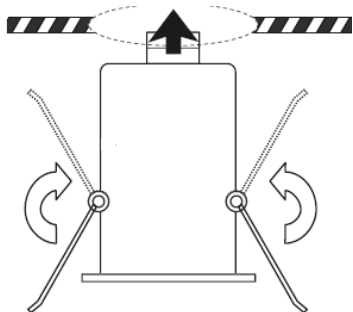


Fig5

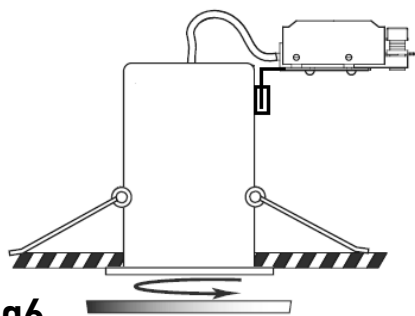
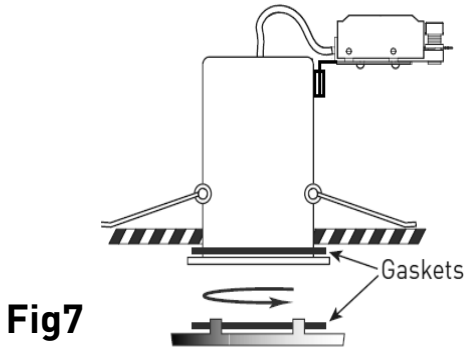


Fig6

- Insert a compatible GU10 lamp into the holder and clip lamp into the bezel
- Fit the bezel and lamp into the fitting by locating the bezel lugs into the body of the fitting and rotating clockwise until it locks into position (see Fig 6)

- When using an IP65 bezel ensure both gaskets are in place. One gasket is pre-installed with the bezel and the second gasket should be installed around the base of the fitting (see Fig 7)



- Switch on power supply and check for correct operation

GENERAL

The product should be recycled in the correct manner when it reaches the end of its life. Check local authorities for where facilities exist.

Clean with a soft dry cloth only, do not use aggressive cleaning products or solvents which may damage the product.

WARRANTY

This product has a warranty of 3 years from date of purchase. Failure to install this product in accordance with the current edition of the IEE Wiring Regulations, improper use, or removal of the batch codes will invalidate the warranty. If this product should fail within its warranty period it should be returned to the place of purchase for a free of charge replacement. ML Accessories does not accept responsibility for any installation costs associated with the replacement product. Your statutory rights are not affected. ML Accessories reserve the right to alter product specification without prior notice.



ML Accessories Limited
LU5 5TA
www.mlaccessories.co.uk

SBAUG17_V2