

LEDM06B. LEDM06W

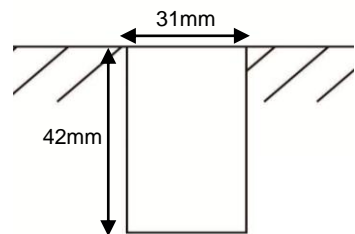
GENERAL INSTRUCTIONS:

These instructions should be read carefully and retained after installation for further reference and maintenance.

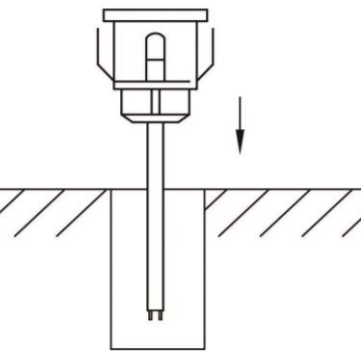
SAFETY

- Before installation/maintenance ensure that all mains supply to the luminaire is switched off and the circuit fuses or circuit breakers are removed or switched off.
- Check that the total load on the circuit including when this luminaire is fitted does not exceed the rating of the circuit cable, fuse or circuit breaker
- Installation of this luminaire should only be done or under supervision of a qualified electrician to the current IEE wiring and Building regulations.
- Please recycle this unit.
- This product is not suitable as a “drive-over” fixture. Do not install where vehicles may drive over this product.
- Can be used as a walkover fixture with stainless steel bezel ONLY. Chrome accessories are for decorative purposes only
- This product is suitable for wall, ceiling or floor mounting internal or external use.
- This product is IP65 rated and suitable for external applications where applicable.
- This product is class II rated and should not be earthed
- This product is non-dimmable
- 230V 50hz Rated – No driver required

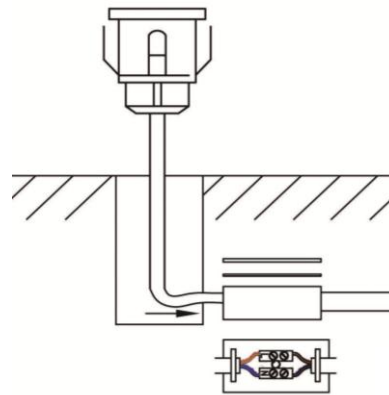
INSTALLATION



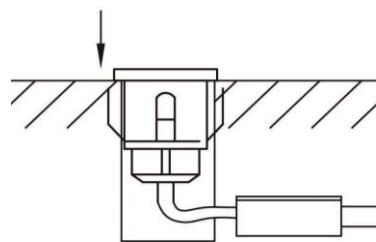
1. Mark the position(s) of where the fittings are to be installed ensuring not to infringe with any joists, gas, water pipes or electrical cables that may be hidden below the surface. Using a suitable hole saw cut a hole approximately 31mm in diameter & 41 mm deep



2. Feed the pre-installed 2 metre cable through the hole and make any electrical connections which may not be accessible once the fitting is totally installed.



3. Connect the preinstalled flexible cable to a suitable joint box ensuring correct polarity is observed. BROWN- LIVE. BLUE- NEUTRAL. The joint box must be IP65 or above rated if used externally.



4. Select one of the 3 supplied bezels and screw it onto the top of the fitting the stainless steel bezel is pre-fitted, must be removed before installation of one of the chrome accessories. Check all wiring is correct and secure.

Push the fitting into the pre-drilled hole

Test for correct operation

REPLACING LAMPS

- The LED lamps fitted in this product are non-replaceable

CLEANING

- Only clean with a soft dry cloth do not use other materials or solutions which may damage the fitting