

INSTALLATION & MAINTENANCE MANUAL
SK006



IP54 13A 3G POP UP SOCKET



CONTENTS

These instructions should be read carefully and retained after installation by the end user for future reference and maintenance.

These instructions should be used to aid installation of the following product:

SK006

SAFETY

- Installation of this product should only be carried out by a qualified electrician or competent person to the latest Building and current IEE Wiring Regulations (BS7671)
- Please isolate mains prior to installation/maintenance
- Check the total load on the circuit (including when this product is fitted) does not exceed the rating of the circuit cable, fuse or circuit breaker
- This product is Class I and requires an earth
- This product is IP54 rated (only when the product is in the closed position with no appliances attached)

INSTALLATION

- Provide power to the required point of installation
- Locate a suitable place to mount the product. We recommend a surface thickness of min 10mm to max 50mm
- Cut a 90mm hole in the surface, allowing a 25mm clearance around the hole (see Fig 1)
- Note: ensure there is sufficient space beneath the surface when the product is in the closed position

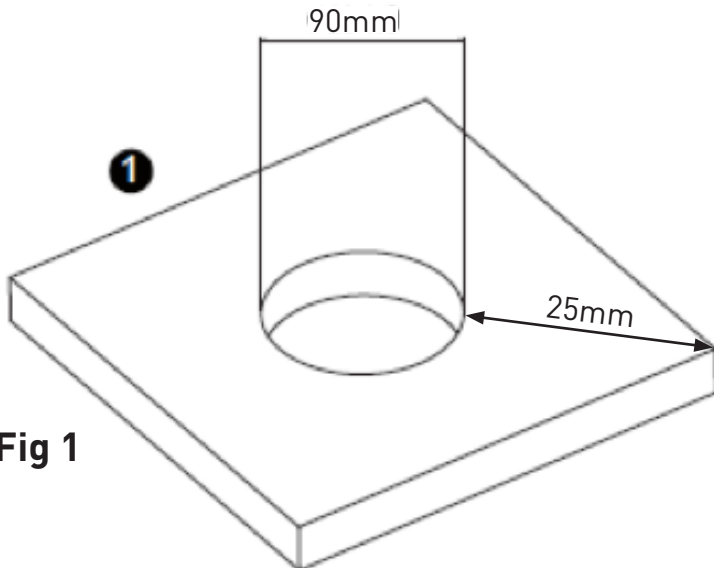


Fig 1

- Remove the mounting collar and rubber gasket, by rotating anti-clockwise
- Insert the product through the hole
- Put product in desired orientation and insert rubber gasket to bottom. Tighten the mounting collar to the underside of the surface (see Fig 2)

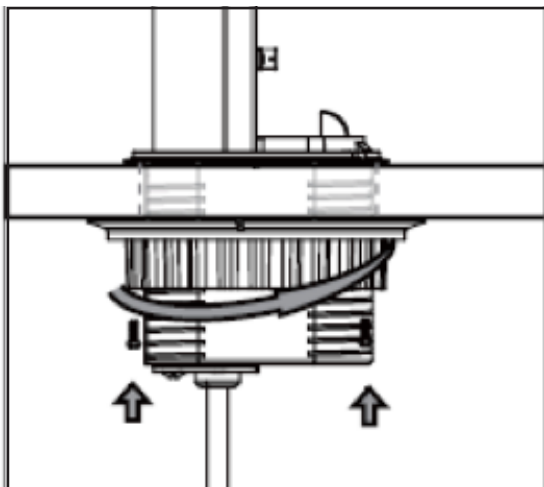


Fig 2

- Connect to mains supply via the pre-wired cable and plug

OPERATION

- To raise the product, gently lift the handle on the top cover. Raise until it clicks, this means its locked in position (see Fig 3a)
- To lower the product press the release button (see Fig 3b)

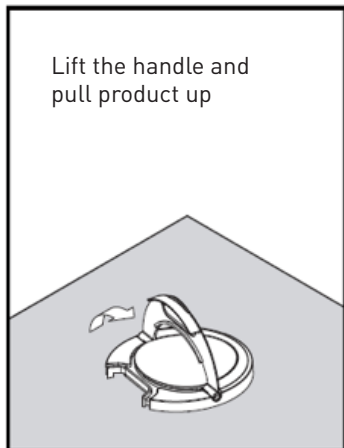


Fig 3a

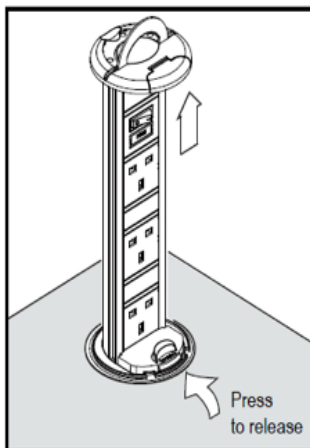
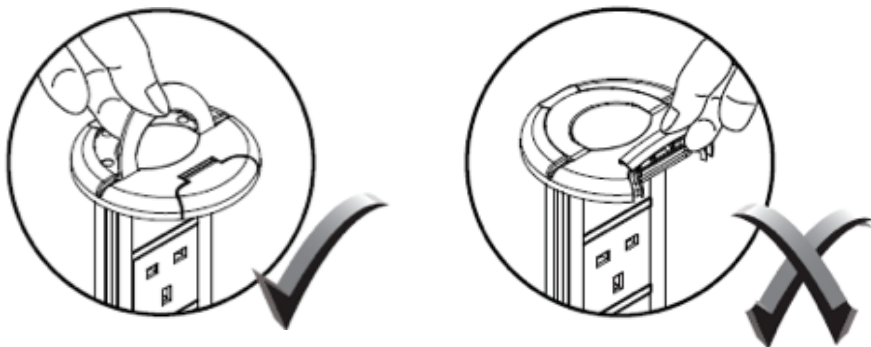


Fig 3b

- Always use the handle to raise/lower product (see Fig 4)



WARNING

This product must be disconnected from the circuit if subjected to any high voltage or insulation resistance testing. Irreparable damage will occur if this instruction is not followed

GENERAL

The fitting should be recycled in the correct manner when it reaches the end of its life. Check local authorities for where facilities exist.

Clean with a soft dry cloth only, do not use aggressive cleaning products or solvents which may damage the fitting.

WARRANTY

This product has a warranty of 1 year from date of purchase. Failure to install this product in accordance with the current edition of the IEE Wiring Regulations, improper use, or removal of the batch codes will invalidate the warranty. If this product should fail within its warranty period it should be returned to the place of purchase for a free of charge replacement. ML Accessories does not accept responsibility for any installation costs associated with the replacement product. Your statutory rights are not affected. ML Accessories reserve the right to alter product specification without prior notice.



ML Accessories Limited
LU5 5TA
www.mlaccessories.co.uk

09-14 V1 – BT