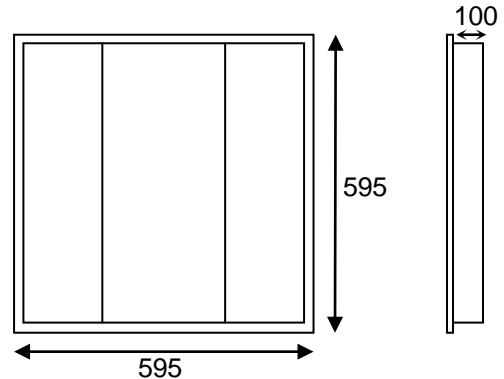




Data Specification Sheet



MRF255PLHF Recessed High Frequency Modular 2x55W Fittings

ML Accessories Code	MRF255PLHF. MRF255PLEMHF
Description	Recessed, 2x55W PLL Complete with perforated steel lamp cover on sides.
Overall dimensions (mm) Depth-Length-Width	(D)100mm (L)595mm (W)595mm
Product weight	4.8kg (5.6kg EM Version)
Wattage	2 x 55W PLL
Circuit Watts	98W
Recommended product location	Indoor
Finishes available	White
Control Gear Type	Knightsbridge Integral H.F. Electronic Knightsbridge H.F. Electronic Emergency (EM)
Dimmable	No
Lamp Supplied	No
Class	Class I. Must be Earthed
IP	IP20
Photometric Testing	Yes
Instruction sheet	Yes
Origin of manufacture	China
Main materials:	
• Chassis	0.6mm Pressed Steel powder coated
• Diffuser	White pressed steel
• Louvre	Semi specular parabolic aluminium
Method of fix	Lay-in suitable for 600mm x 600mm recessed exposed T ceilings
Lampholder cap and make	2G11/ BJB
Electrical Connections	10A L.E.N. Nylon Connector, Screw Terminals. Soft Fold easy connect
CE mark	Yes
Quality Assurance System	Yes ISO 9001 QMS
Batch coding details on product	Yes
Certificate of Conformity (Held on File)	Yes
Manufactured in accordance	EN60598

ML Accessories Ltd. reserves the right to withdraw, improve or modify any design without prior notification.

ML Accessories Ltd. cannot be held responsible for the incorrect application of any product.