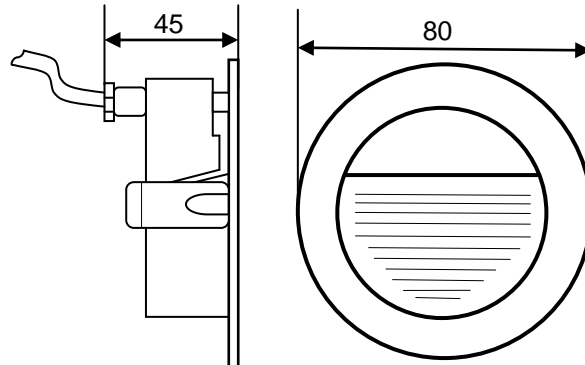


Data Specification Sheet



NH020 IP54 Round LED Recessed Guide Light

Code	NH020B NH020W
Description	IP54 Round LED Recessed Guide Light White or Blue LED
Finishes available	Grey
Overall dimensions (mm) Length -Diameter	As above Sleeve:- 75mm diameter. 50mm long
Cut-out	75mm
Product Weight	144grams
Recommended product location	Indoor or Outdoor (Not recommended for food preparation areas)
Lamp Supplied	Yes non-replaceable LED
Voltage (V)	230V
Maximum Lamp Wattage (W)	1.2 Watts
Lumen Output	85Lm
Class	Class II. Must not be Earthed
IP	IP54
Distance from lighted object	n/a
Photometric Testing	Not available
Instruction sheet	Yes
Origin of manufacture	China
Main materials:	
• Body	Die-cast aluminium
• Clips	Pressed Steel
• Sleeve	Polycarbonate
Method of fix	Recessed
Lamp type and base	6 x SMD LED
Electrical Connections	Direct fixed cable 300mm (supplied)
Cable rating (mm SQ /C.S.A.) & type	2core 0.75mm H05RN-F
CE mark	Yes
Quality Assurance System	Yes ISO 9001 QMS
Batch coding details on product	Yes
Certificate of Conformity (Held on File)	Yes
Manufactured in accordance to:	EN60598
Warranty	1 year

ML Accessories Ltd. reserves the right to withdraw, improve or modify any design without prior notification.

ML Accessories Ltd. cannot be held responsible for the incorrect application of any product.