

PIR SPECIFICATION

- Detection range: 1m to 8m when mounted at a height of 2.4m (in ideal conditions)
- Time duration: 90sec
- Detection angle: 120°
- Lux level when PIR switches on: 30lx

PIR OVERRIDE

Switch the mains switch on and off twice within 3 seconds. This will keep the fitting on for approximately 8hrs, after which it will reset automatically.

This override can be cancelled out by switching the mains switch on and off twice within 3 seconds.

WARNING

This product must be disconnected from the circuit if subjected to any high voltage or insulation resistance testing. Irreparable damage will occur if this instruction is not followed.

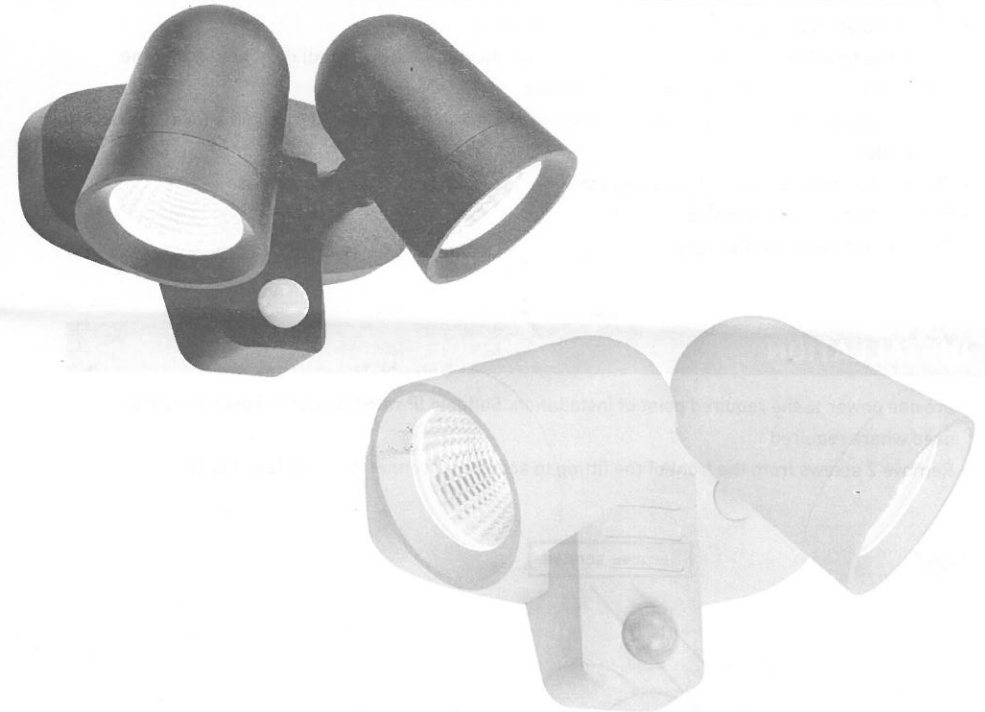
GENERAL

The LEDs fitted in this product are non-replaceable. The unit should be recycled in the correct manner when it reaches the end of its life. Check local authorities for where facilities exist. Clean with a soft dry cloth only, do not use aggressive cleaning products or solvents which may damage the product.

WARRANTY

This product has a warranty of 3 years from date of purchase. Failure to install this product in accordance with the current edition of the IEE Wiring Regulations, improper use, or removal of the batch codes will invalidate the warranty. If this product should fail within its warranty period it should be returned to the place of purchase for a free of charge replacement. ML Accessories does not accept responsibility for any installation costs associated with the replacement product. Your statutory rights are not affected. ML Accessories reserve the right to alter product specification without prior notice.

INSTALLATION & MAINTENANCE MANUAL FLTPB/W



GENERAL INSTRUCTIONS

These instructions should be read carefully and retained after installation by the end user for future reference and maintenance.

These instructions should be used to aid installation of the following products:
FLTPB, FLTPW

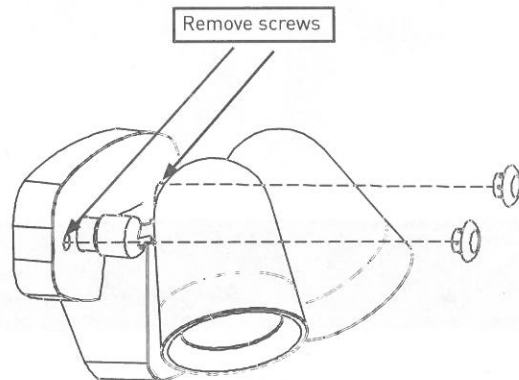
SAFETY

- Installation of this luminaire should only be carried out by a qualified electrician or competent person to the latest Building and current IEE Wiring Regulations (BS7671)
- Please isolate mains prior to installation/maintenance
- Check the total load on the circuit (including when this luminaire is fitted) does not exceed the rating of the circuit cable, fuse or circuit breaker
- Please note the IP (Ingress of Protection) rating of this luminaire when deciding the location for installation
- This product is Class I and requires an earth
- This product is non-dimmable
- This product series is IP65 rated

INSTALLATION

- Provide power to the required point of installation. Suitable IP rated junctions boxes should be used where required
- Remove 2 screws from the front of the fitting to access the connector block (see Fig 1)

Fig1



- Using the baseplate as a template mark the location of the fixing holes, and drill the holes ensuring not to infringe with any joists, gas or water pipes or electrical cables
- Feed cable through the rubber grommet to maintain the IP rating and secure baseplate to the desired surface (see fig 2)

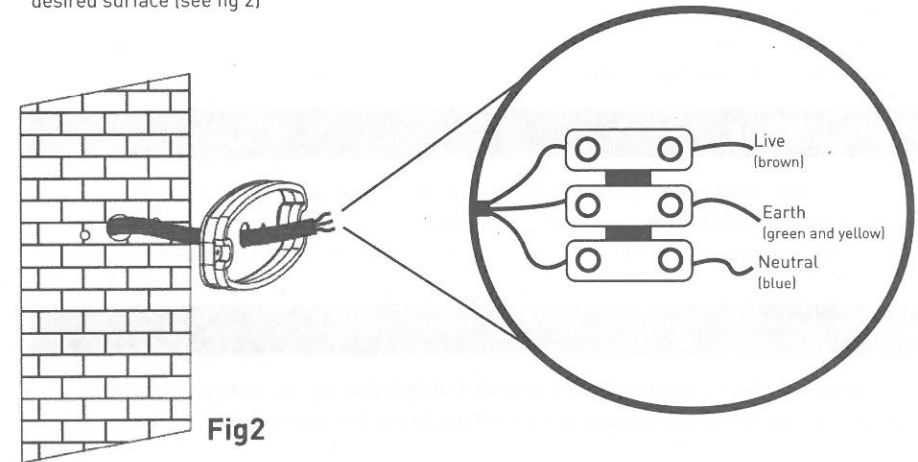


Fig2

- Ensuring correct polarity is observed, carefully wire as shown in Fig 2
- Secure the fitting to the Amend to baseplate via the 2 screws (see fig 3)

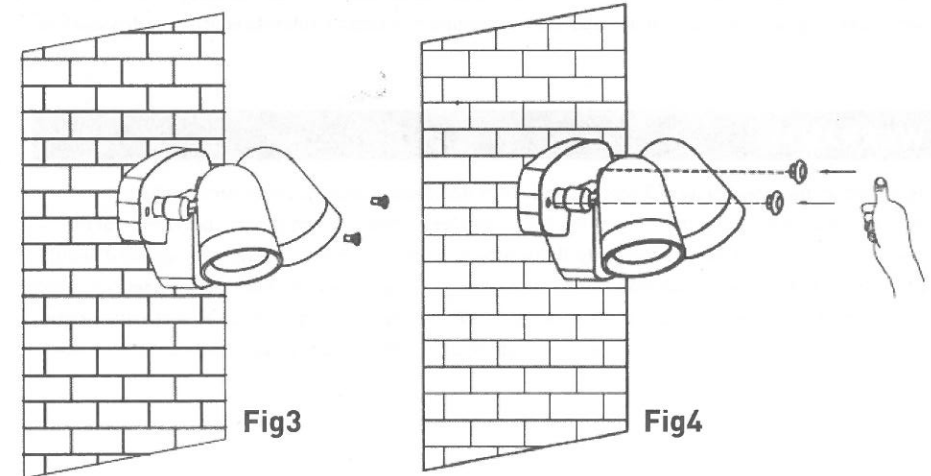


Fig3

Fig4

- Put screw caps on (see fig 4)
- Switch on and check for correct operation

This luminaire MUST at all times be installed and protected by an RCD .