

## INSTALLATION & MAINTENANCE MANUAL

### VFRxxxx Series

---



230V  
50Hz

IP  
65

IP  
20



**RoHS**  
COMPLIANT



08

## GENERAL INSTRUCTIONS

These instructions should be read carefully and retained after installation by the end user for future reference and maintenance.

These instructions should be used to aid installation of the following products:

VFRDGCxx / VFRSGCxx / VFRSHGCxx

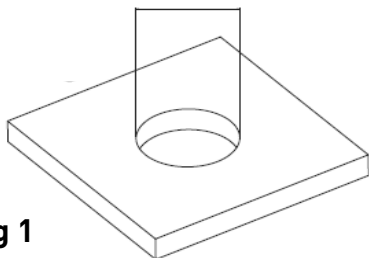
## SAFETY

- Installation of this luminaire should only be carried out by a qualified electrician or competent person to the current Building and IEE Wiring Regulations (BS7671)
- Please isolate mains prior to installation/maintenance
- Check the total load on the circuit (including when this luminaire is fitted) does not exceed the rating of the circuit cable, fuse or circuit breaker
- Please note the IP (Ingress of Protection) rating of this luminaire when deciding the location for installation - VFRDGCxx and VFRSGCxx are IP20 rated and VFRSHGCxx is IP65 rated
- These products are Class I and must be earthed
- These products are dimmable dependant on lamp type (lamp not included)
- These products are IC rated and are suitable for use with glass/mineral wool insulation  
See the *Warning* section for further information

## INSTALLATION

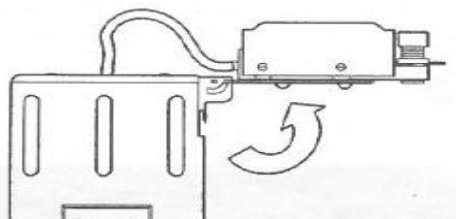
- Provide power to the point of installation
- Cut a suitable hole in the ceiling as per the cut-out details in Fig 1 ensuring it does not infringe with electrical cables, water/gas pipes or ceiling joists

See table for cut-out (mm)



Part code	Cut-out
VFRDGCxx	72mm
VFRSGCxx	84mm
VFRSHGCxx	72mm

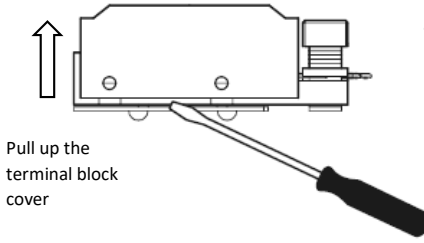
Fig 1



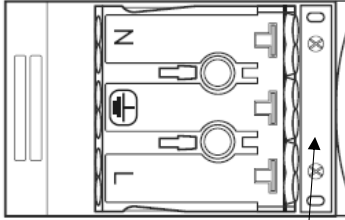
- Fold out the terminal bracket until it locks into position (see Fig 2)

Fig 2

**Fig 3**



- Remove the terminal access cover with the aid of a slotted screwdriver (see Fig 3)



Neutral (blue)

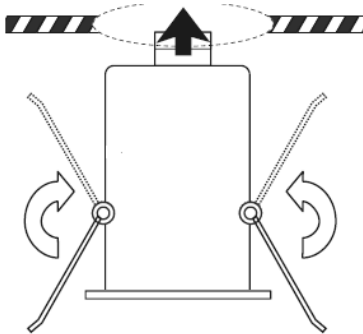
Earth (green/yellow)

Live (brown)

Cable clamp

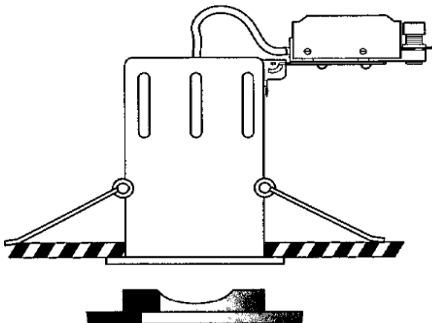
- Connect the Live (brown), Neutral (blue) and Earth (green and yellow) to the push-fit terminal block ensuring the correct polarity is observed (see Fig 4)
- Ensure the strain relief is used to secure the mains input cable

**Fig 4**



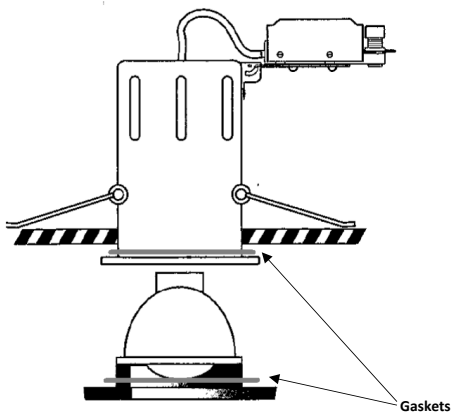
- Loop in / loop out wiring can be achieved with the push-fit terminal block
- Push up both of the spring clips either side of the fitting and position into the ceiling (see Fig 5)
- Ensure glass/mineral wool insulation is not packed tightly around the fitting, but that it is loosely placed unbroken over the top of the luminaire. This is to allow heat dissipation from the light source

**Fig 5 (VFRDGICxx and VFRSGICxx)**



- Remove the lock-ring of the bezel by turning anti-clockwise 45°
- Insert a GU10 lamp into the lock-ring lamp clip and connect a lamp to the lamp holder
- Push the lamp and lock-ring up into position in the downlight body and secure the lock-ring by turning clockwise 45° (see Fig 6)

**Fig 6 (VFRSHGICxx)**



**Fig 7**

- When using an IP65 bezel, please ensure both gaskets are in place. One gasket is pre-installed with the bezel and the second gasket should be installed around the base of the fitting (see Fig 7)
- Remove the bezel by turning anti-clockwise 90°
- Insert a GU10 lamp into the lamp clip (please note the bezel is designed for the lamp to sit on top and not inside)
- Secure lamp into the GU10 lamp holder
- Push the bezel and lamp into position within the fitting and secure bezel by turning 90° clockwise
- Switch on power supply and check for correct operation

## WARNING

These products are IC rated and are suitable for use with glass/mineral wool insulation which can be laid loosely unbroken over the luminaire. The insulation should NOT be packed around the product. We do not recommend the use of other types of insulation material to be used with these downlights.

A space of at least 50mm should be left between the luminaire and any surface within the void (such as joists etc.)

## GENERAL

The product should be recycled in the correct manner when it reaches the end of its life. Check local authorities for where facilities exist

Clean with a soft dry cloth only, do not use aggressive cleaning products or solvents which may damage the product

## WARRANTY

This product has a warranty of 1 year from date of purchase. Failure to install in accordance with the current edition of the IEE Wiring Regulations, improper use, or removal of the batch codes will invalidate the warranty. If this product should fail within its warranty period it should be returned to the place of purchase for a free of charge replacement. ML Accessories does not accept responsibility for any installation costs associated with the replacement product. Your statutory rights are not affected. ML Accessories reserve the right to alter product specification without prior notice