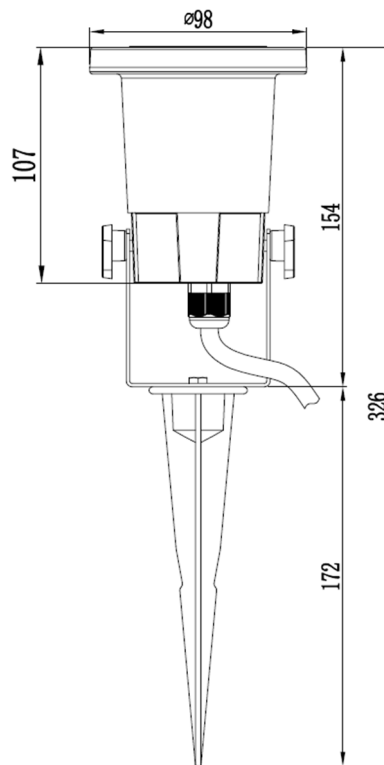


**230V IP65 GU10 WALL / GROUND SPIKE**



<b>MLA part code</b>	<b>GUSPBK</b>
<b>Description</b>	230V IP65 GU10 Ground /Wall Spike
<b>Finish</b>	Black
<b>Nett weight (kg)</b>	0.58
<b>Maximum Wattage (W)</b>	10W LED
<b>Lamp base</b>	GU10
<b>Dimensions (mm)</b>	Height – 107 Diameter – 98 Height with spike - 326
<b>Input voltage</b>	Mains 230V 50Hz
<b>Construction</b>	Aluminium
<b>Class</b>	Class 1
<b>IP rating</b>	IP65
<b>Warranty</b>	1 year
<b>Dimmable</b>	Yes - dependant on lamp
<b>Origin of Manufacture</b>	China
<b>Declaration of Conformity (held on file)</b>	Yes
<b>Manufactured in accordance with</b>	BS EN 60598
<b>EAN</b>	5055832986669

