



INSTALLATION & MAINTENANCE MANUAL

**MLR6045SD**

## GENERAL INSTRUCTIONS

**These instructions should be read carefully and retained after installation by the end user for future reference and maintenance.**

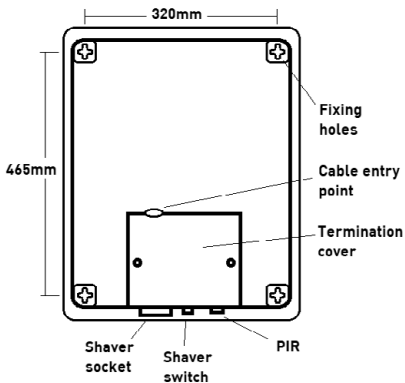
**These instructions should be used to aid installation of the following product:  
MLR6045SD**

## SAFETY

- This product must be installed in accordance with the latest edition of the IEE Wiring Regulations (BS7671) and current Building Regulations. If in any doubt, consult a qualified electrician
- Please isolate mains prior to installation or maintenance
- Check the total load on the circuit (including when this luminaire is fitted) does not exceed the rating of the circuit cable, fuse or circuit breaker
- Please note the IP (Ingress Protection) rating of this product when deciding the location for installation
- This product is Class I and must be earthed
- This product is IP44 rated

## INSTALLATION

- Provide power to the required point of installation
- Mark the location of the fixing holes (see Fig. 1) and drill the holes ensuring not to infringe with any gas/water pipes or electrical cables



**Fig. 1**

- Insert the plugs into the wall, and screw in the 4 screws provided, leaving them approximately 2-3mm proud of the wall surface
- Remove the lid from the termination cover

- Feed the mains cable through the rubber grommet on the rear of the termination enclosure to retain IP rating
- Connect the luminaire to the mains supply ensuring the correct polarity is observed:  
L - Live (brown), E - Earth (green/yellow), N - Neutral (blue)
- Secure the mains cable under the cable clamp
- Refit the terminal cover ensuring a tight seal to maintain the IP rating
- Ensuring that the sensor and shaver socket are in the required position, hang the fitting onto the fixing screws
- Switch on and check for correct operation

## WARNING

This product must be disconnected from the circuit if subjected to any high voltage or insulation resistance testing. Irreparable damage will occur if this instruction is not followed.

## GENERAL

This product should be recycled in the correct manner when it reaches the end of its life.

Check local authorities for where facilities exist.

Clean with a soft dry cloth only, do not use aggressive cleaning products or solvents which may damage the product. A glass cleaning solution may be used on the mirror surface.

This product contains a light source of energy efficiency class A\*.

This product is non-dimmable

## WARRANTY

This product has a warranty of 1 year from date of purchase. Failure to install this product in accordance with the current edition of the IEE Wiring Regulations (BS7671), improper use, or removal of the batch code will invalidate the warranty. If this product should fail within its warranty period, it should be returned to the place of purchase for a free of charge replacement. ML Accessories does not accept responsibility for any installation costs associated with the replacement product. Your statutory rights are not affected. ML Accessories reserve the right to alter product specification without prior notice.



**ML**  
ACCESSORIES LTD



**UK  
CA** **CE**



101

**ML Accessories Limited LU5 4LT**  
**[www.mlaccessories.co.uk](http://www.mlaccessories.co.uk)**