

Knightsbridge

INSTALLATION & MAINTENANCE MANUAL DC006



GENERAL INSTRUCTIONS

These instructions should be read carefully and retained after installation by the end user for future reference and maintenance.

These instructions should be used to aid installation of the following product:

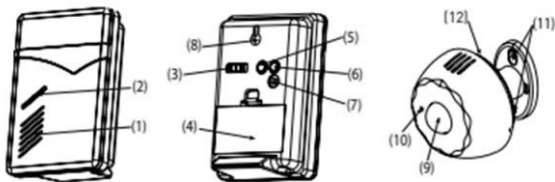
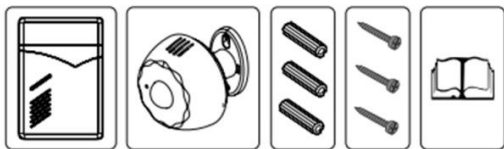
DC006

This door chime kit comes with:

- 1 x Receiver
- 1 x Sensor
- 1 x Instruction manual
- 1 x Fixing kit

Legend

- 1. Speaker
- 2. LED indicator
- 3. Sound and Flash switch
- 4. Battery cover
- 5. Volume button
- 6. Melody selector
- 7. Auto learning code button
- 8. Mounting hole
- 9. PIR sensor
- 10. LED indicator
- 11. Mounting holes
- 12. On/Off button



INSTALLATION

Notes prior to installation

- Avoid positioning above or near heat sources such as radiators, or in damp areas such as kitchens and bathrooms
- Avoid positioning the PIR sensor and receiver on metal door frames as this may affect the signal
- Please note the IP (Ingress Protection) rating of the PIR sensor when deciding the location for installation
- The receiver and sensor are IP20 rated

User hints – If the receiver does not sound, please check the following:

- Flat batteries in either the PIR sensor or receiver – change the batteries
- Wrong battery polarity in either PIR sensor or receiver – re-insert batteries correctly
- Units are out of range – operate the receiver within the recommended operation range
- If unit is getting interference, take batteries out the PIR sensor and receiver for 10 seconds, repeat set-up procedure to generate new auto learning code
- The sensor cannot detect anything that is the same temperature as its background. For example, a car which hasn't been running long (and is thus the same temperature as its surroundings) may go unnoticed until it warms up
- Any moving heat source can trigger the sensor. For example, a moving shadow on a sunny day may trigger activation, or the sun coming out from behind clouds. False triggers are rare and can be avoided by carefully positioning your sensor in an optimum position for its purpose
- Avoid busy pathways and try to aim sensor toward the exact location you want it to monitor i.e. your private driveway or pathway and it will only activate for moving objects you want to detect

Installing / Replacing Batteries

PIR sensor

Requires 3 x AAA 1.5V batteries (not included). Remove the PIR sensor from its mounted position by sliding it off the mounting bracket. Remove the battery cover by sliding it off. Safely and responsibly dispose of the old batteries and replace with new - ensure battery polarity matches the internal markings. Replace the battery compartment cover and re-mount the PIR sensor. Always ensure the battery cover is fitted correctly to prevent moisture entering the device that could adversely affect the performance (see Fig. 1)

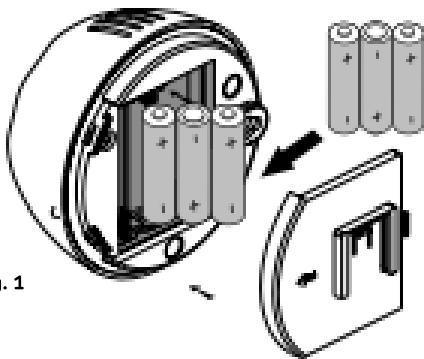


Fig. 1

Receiver

Remove the battery cover and insert 2 x AA 1.5V batteries (not included). Ensure battery polarity matches the internal markings (see Fig. 2)

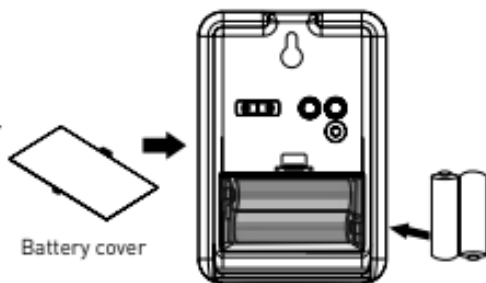


Fig. 2

Mounting PIR sensor

- Mark the location of the fixing holes, and drill the holes ensuring not to infringe with any gas / water pipes or electrical cables
- Drill 2 holes on the wall at the required height and Insert wall plugs (see Fig. 3)
- Place the mounting bracket over the holes
- Insert the screws into the wall plugs (not included)
- Install the sensor

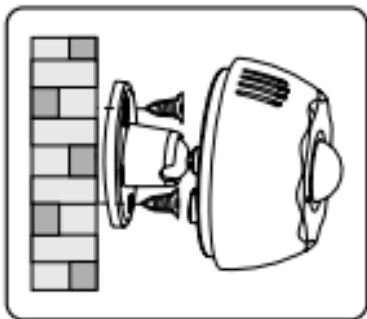


Fig. 3

FUNCTIONS GUIDE

Chime operation

Press the push button on the sensor unit once, a wireless signal is sent to the receiver which will sound. The sound will stop as soon as the melody ends.

Melody selection

The melody selector is located on the back of the door chime on the right. Press the selector to choose a different melody, then activate sensor once to store.

Sound and Flash

The Sound and Flash switch is located on the back of the receiver on the left. Slide the switch to the left position, the receiver will work with sound only; slide to the middle position, the LED will flash only; slide to the right position, there will be sound and LED flash.

Volume adjustment

The volume button is located between the melody selector and the sound and flash switch. Press to adjust the sound volume - high, medium, or low.

Auto-learning code button

There is an auto-learning code button under the melody selector. If you want an additional sensor to work with the receiver, press the auto-learning code button once and the sensor will work with the receiver.

SPECIFICATION

PIR sensor

Power: 3 x AAA 1.5V batteries (not included)

PIR angle: 100° (wall mounted)

PIR range: <8m (dependent on environment)

Transmission range: 80m (dependent on environment)

Receiver unit

Power: 2 x AA 1.5V batteries (not included)

Operating temperature: -30°C to 40°C

Operating range: 80m (dependent on environment)

Selectable tones: 36 melodies available

GENERAL

This product should be recycled in the correct manner when it reaches the end of its life. Check local authorities for where facilities exist.

The batteries in this product should be recycled in the correct manner when they reach the end of their life. Check local authorities for where facilities exist

Clean with a soft dry cloth only, do not use aggressive cleaning products or solvents which may damage the product.

WARRANTY

This product has a warranty of 1 year from date of purchase. Failure to install this product in accordance with the current edition of the IEE Wiring Regulations (BS7671), improper use, or removal of the batch code will invalidate the warranty. If this product should fail within its warranty period it should be returned to the place of purchase for a free of charge replacement. ML Accessories does not accept responsibility for any installation costs associated with the replacement product. Your statutory rights are not affected. ML Accessories reserve the right to alter product specification without prior notice.

Knightsbridge