



INSTALLATION & MAINTENANCE MANUAL

**CRF02B / CRF02C / CRF02CBR / CRF02W**

## GENERAL INSTRUCTIONS

**These instructions should be read carefully and retained after installation by the end user for future reference and maintenance.**

**These instructions should be used to aid installation of the following products:**

**CRF02B / CRF02C / CRF02CBR / CRF02W**

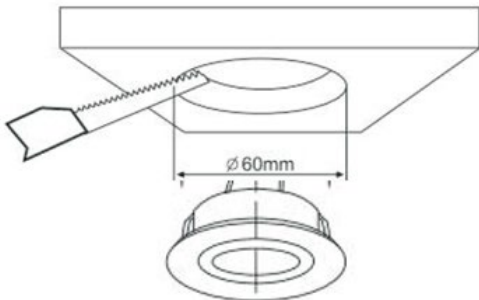
## SAFETY

- This product must be installed in accordance with the latest edition of the IEE Wiring Regulations (BS7671) and current Building Regulations. If in any doubt, consult a qualified electrician
- Please isolate mains prior to installation or maintenance
- Check the total load on the circuit (including when this luminaire is fitted) does not exceed the rating of the circuit cable, fuse, or circuit breaker
- Please note the IP (Ingress Protection) rating of this luminaire when deciding the location for installation
- Allow 50mm above and around the fitting for air dissipation (do not cover the fitting with insulation)
- This product is for indoor use only
- This product is Class III
- This product series is IP20 rated

## RECESSED INSTALLATION

- Provide power to the required point of installation
- Cut a suitable hole in the mounting surface as per the cut-out details (see Fig. 1) ensuring not to infringe with any joists, gas/water pipes or electrical cables

Fig. 1

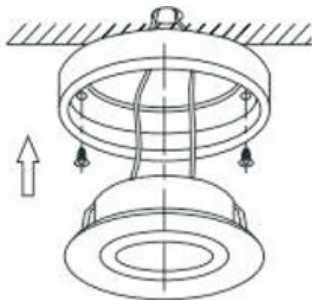


- Remove the luminaire from the surface housing by pushing the back of the luminaire
- Connect the pre-installed cable to a suitable 12V transformer
- Push the luminaire into the hole
- Insert a slotted screwdriver in the slot located around the glass bezel, lever forward and remove
- Insert one of the provided G4 lamps - 10W or 20W
- Replace the glass bezel
- Switch on and check for correct operation

## SURFACE INSTALLATION

- Remove the luminaire from the surface housing by pushing the back of the luminaire
- Fix the surface mounted housing to a suitable surface (see Fig. 2)

Fig. 2



- Drill a hole in the mounting surface for the cable or if the cable is to be routed on the surface, a cut-out is provided in the housing of the luminaire where the cable can be routed through, please ensure to use the grommet provided
- Connect the pre-installed cable to a suitable 12V transformer
- Push the luminaire into the surface housing
- Insert a slotted screwdriver in the slot located around the glass bezel, lever forward and remove
- Insert one of the provided G4 lamps - 10W or 20W
- Replace the glass bezel
- Switch on and check for correct operation

Note – Always allow the lamp sufficient time to cool before servicing.

Note – This luminaire may be used with G4 LED lamps provided they are of suitable dimensions – not all G4 LED lamps will fit, please check before installation. LED lamps must be connected to a suitable 12VDC driver (not provided).

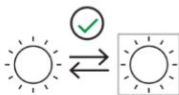
## WARNING

This luminaire must be disconnected from the circuit if subjected to any high voltage or insulation resistance testing. Irreparable damage will occur if this instruction is not followed.

## GENERAL

This product contains a light source of energy efficiency class G to Regulation (EU) No. 2019/2015 and (UK) 2021 No. 1095.

This product contains a light source which can be replaced by the end user.



Clean with a soft dry cloth only, do not use aggressive cleaning products or solvents which may damage the product.

This product is dimmable dependent on the lamp and control gear.

This product should be dismantled for disposal when it reaches the end of its life. Please see website for dismantling instructions.

This product should be recycled in the correct manner when it reaches the end of its life. Check local authorities for where facilities exist.

## WARRANTY

This product has a warranty of 1 year from the date of purchase. Failure to install this product in accordance with the current edition of the IEE Wiring Regulations (BS7671), improper use, or removal of the batch code will invalidate the warranty. If this product should fail within its warranty period, it should be returned to the place of purchase for a free of charge replacement. ML Accessories does not accept responsibility for any installation costs associated with the replacement product. Your statutory rights are not affected. ML Accessories reserve the right to alter product specification without prior notice.

INTERNATIONAL  
CONTACT DETAILS



12V

IP20



**ML**  
ACCESSORIES LTD



**UK  
CA** **CE**



**14**

ML Accessories Limited LU5 4LT  
[www.mlaccessories.co.uk](http://www.mlaccessories.co.uk)

AVDEC21\_V2