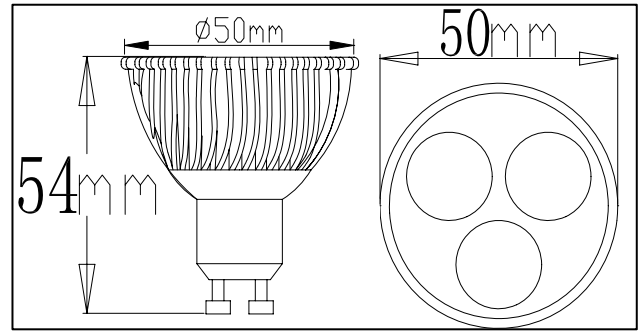


# I . DIMENSION



# II .LED FEATURES

ITEM	Parameter Range
LED LAMP REF NO	LT GU9B
DETAIL	HIGH POWER/GU10/3LEDS/BLUE
LED Wavelength (nm) Or Tc (k)	460-470NM
LED Color	BLUE

# III. TECHNICAL REQUEST

NO.	ITEM	UNITS	Parameter range
1	working environment	°C	- 30~50
2	working Humidity	%RH	10%-90%
3	storage condision	°C	- 40~80
4	work frequency	Hz	50/60
5	limited voltage	V	AC 100-240
6	input current	ma	29
7	output power	w	3.7
8	luminous flux	LM	47
9	Illuminance(1M)	LUX	510

# IV.Luminous Flux (lm) Chart

Base Curve | Iv Distributing | Spectrum Analyse

Spectrum Power(%) distribution chart

λ d: 460.9 nm  
 CIE(x, y): 0.1461 0.0367  
 Tc: 1622 K  
 φ v: 47.736 lm

CIE1931色品图 SDCM放大图

Index	I (mA)	Φ v (lm)	Vf (V)	P (mW)	Tc (K)	λ d (nm)	λ p (nm)	CIE-x	CIE-y	CIE-u	CIE-v	Re
1	29.000	47.7	220...	2659...	1622	460.9	456.0	0.1461	0.0367	0.1856	0.0699	0...

Spectrum Parameters

λ (Peak): 456.0 nm λ (Centroid): 446.3 nm BandWid: 25.0 nm (x, y): 0.1461, 0.0367 Ra: 0.0  
 λ (Main): 460.9 nm λ (Center): 447.0 nm ColorTem: 1622 K (u, v): 0.1856, 0.0699 Color Pur: 0.982  
 Light Power: 2659.5669 mw Spectrum Power (%) 68%

Ra1: 0.0 Ra2: 0.0 Ra3: 0.0 Ra4: 0.0 Ra5: 0.0 Ra6: 0.0 Ra7: 0.0 Ra8: 0.0  
 Ra9: 0.0 Ra10: 0.0 Ra11: 0.0 Ra12: 0.0 Ra13: 0.0 Ra14: 0.0 Ra15: 0.0

Electrical parameters

I (test): 29.000 mA φ v: 47.7 lm P: 3.7 W  
 V (Positive): 220.800 V Light Ef: 12.911 lm/w PFC: 0.577

Background  
 Light Off before background, then click background button. **Background**

Sampling  
 UV  Visible  Infrared  
 ComPort: COM6  
 InteTime: 95 ms  Auto  
 Continue **Test**

Test Identifier  
 Product Mod: 3\*1w blue Manufacturer: 格天光电 Temperature: 25 °C Humidity: 80% Conner: 李良局 Date: 2011年4月18日 Organ: 中为光电

## V.Illuminance Chart

