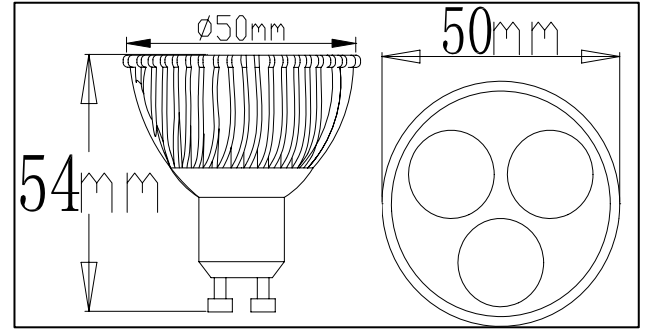


I . DIMENSION



II .LED FEATURES

ITEM	Parameter Range
LED LAMP REF NO	LT GU9G
DETAIL	HIGH POWER/GU10/3LEDS/GREEN
LED Wavelength (nm) Or Tc (k)	520-530NM
LED Color	GREEN

III. TECHNICAL REQUEST

NO.	ITEM	UNITS	Parameter range
1	working environment	°C	- 30~50
2	working Humidity	%RH	10%-90%
3	storage condision	°C	- 40~80
4	work frequency	Hz	50/60
5	limited voltage	V	AC 100-240
6	input current	ma	30
7	output power	w	3.8
8	luminous flux	LM	202
9	Illuminance(1M)	LUX	600

IV.Luminous Flux (lm) Chart

Base Curve | Iv Distributing | Spectrum Analyse

Spectrum Power(%) distribution chart

λ d: 523.4 nm

CIE(x, y): 0.1518 0.7222

Tc: 8228 K

φ v: 202.423 lm

Index	I (mA)	Φ v (lm)	Vf (V)	P (mW)	Tc (K)	λ d (nm)	λ p (nm)	CIE-x	CIE-y	CIE-u	CIE-v	Ra
1	30.000	202.4	220...	540.9510	8228	523.4	518.5	0.1518	0.7222	0.0534	0.3813	-26.6

CIE1931色品图 | SDCM放大图

Spectrum Parameters

λ (Peak): 518.5 nm λ (Centroid): 506.4 nm BandWid: 34.0 nm (x, y): 0.1518, 0.7222 Ra: -26.6

λ (Main): 523.4 nm λ (Center): 507.0 nm ColorTem: 8228 K (u, v): 0.0534, 0.3813 Color Pur: 0.782

Light Power: 540.9510 mw Spectrum Power (%) 52.2

Ra1: -35.2 Ra2: -8.9 Ra3: -26.0 Ra4: -64.6 Ra5: -9.5 Ra6: -20.4 Ra7: -13.6 Ra8: -34.7

Ra9: -380.4 Ra10: -107.5 Ra11: -49.5 Ra12: -33.0 Ra13: -40.9 Ra14: 38.5 Ra15: -32.3

Electrical parameters

I (test): 30.000 mA φ v: 202.4 lm P: 3.8 W

V (Positive): 220.500 V Light Ef: 53.585 lm/w PFC: 0.571

Background: Light Off before background, then click background button. Background

Test Identifier

Product Mod: 3*1w green Manufacturer: 格天光电 Temperature: 25 °C Humidity: 60% Conner: 李良局 Date: 2011年4月18日 Organ: 中为光电

V.Illuminance Chart

