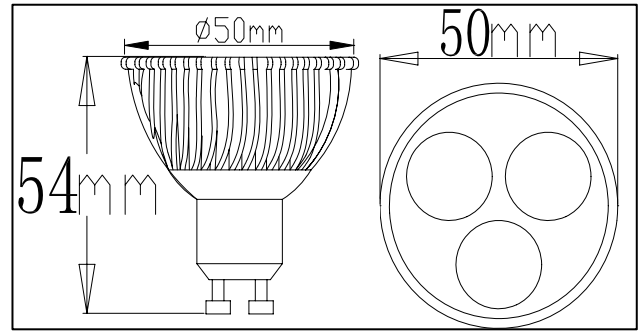


I . DIMENSION



II .LED FEATURES

ITEM	Parameter Range
LED LAMP REF NO	LT GU9R
DETAIL	HIGH POWER/GU10/3LEDS/RED
LED Wavelength (nm) Or Tc (k)	620-630NM
LED Color	RED

III. TECHNICAL REQUEST

NO.	ITEM	UNITS	Parameter range
1	working environment	°C	- 30~50
2	working Humidity	%RH	10%-90%
3	storage condision	°C	- 40~80
4	work frequency	Hz	50/60
5	limited voltage	V	AC 100-240
6	input current	ma	21
7	output power	w	2.5
8	luminous flux	LM	77
9	Illuminance(1M)	LUX	200

IV. Luminous Flux (lm) Chart

Base Curve \ Iv Distributing \ Spectrum Analyse

Spectrum Power(%) distribution chart

λ d: 623.5 nm
 CIE (x, y): 0.6962 0.3020
 Tc: 4936 K
 φ v: 77.478 lm

CIE1931色品图 SDCM放大图

Index	I (mA)	Φv (lm)	Vf (V)	P (mW)	Tc (K)	λ d (nm)	λ p (nm)	CIE-x	CIE-y	CIE-u	CIE-v	Re
1	21.000	77.5	220...	545.9261	4936	623.5	632.4	0.6962	0.3020	0.5323	0.3464	0.4

Spectrum Parameters

λ (Peak): 632.4 nm	λ (Centroid): 622.2 nm	BandWidth: 17.0 nm	(x, y): 0.6962, 0.3020	Ra: 0.0
λ (Main): 623.5 nm	λ (Center): 623.0 nm	ColorTem: 4936 K	(u, v): 0.5323, 0.3464	Color Pur: 0.995

Light Power: 545.9261 mw Spectrum Power (%): 66%

Ra1: 0.0 Ra2: 0.0 Ra3: 0.0 Ra4: 0.0 Ra5: 0.0 Ra6: 0.0 Ra7: 0.0 Ra8: 0.0
 Ra9: 0.0 Ra10: 0.0 Ra11: 0.0 Ra12: 0.0 Ra13: 0.0 Ra14: 0.0 Ra15: 0.0

Electrical parameters

I (test): 21.000 mA	φv: 77.5 lm	P: 2.5 W
V (Positive): 220.400 V	Light Ef: 30.780 lm/w	PFC: 0.544

Background

Light Off before background, then click background button.

Background

Sampling

UV Visible Infrared

ComPort: COM6

InteTime: 131 ms Auto

Continue

Test Identifier

Product Mod: 3W R Manufacturer: 格天光电 Temperature: 25 °C Humidity: 60% Conner: 李良局 Date: 2011-4-18 Organ: 中为光电

V.Illuminance Chart

