



LTP3CCT

SLIM LED POLO

IP65 Round Bulkhead
CCT Changeable / Tri Wattage
9W/14W/18W



These instructions should be read carefully and retained after installation for further reference and maintenance.

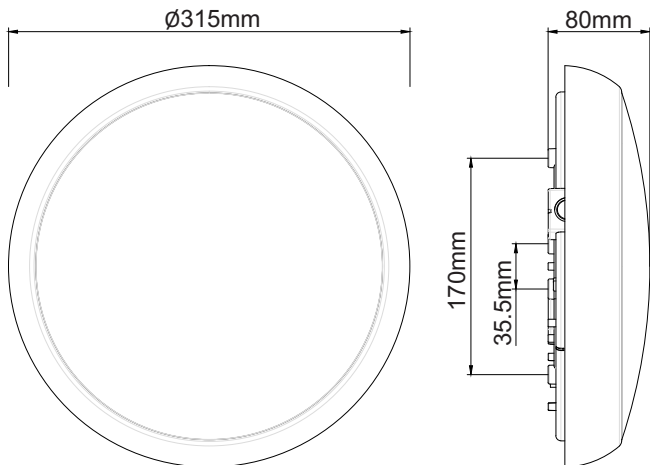
SAFETY

- Before installation, ensure that the mains supply to the luminaire is switched off and the circuit supply fuses are removed or circuit breaker turned off
- It is recommended that a qualified electrician is consulted or used for the installation of this luminaire and installed to the current edition of the IEE wiring regulations
- Check that the total load on the circuit, including this luminaire, does not exceed the rating of the circuit cable, fuse or circuit breaker


RATINGS

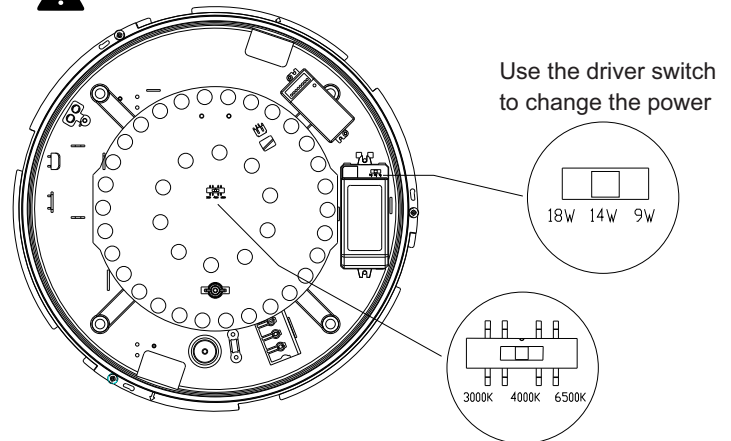
- This luminaire is of Class II construction and it does not require an earth connection
- IP65 rated
- F marked, suitable for installation on normal flammable surfaces
- Working situation: -20°C to 40°C
- 220-240V AC rated
- CE Approved

DIMENSIONS:

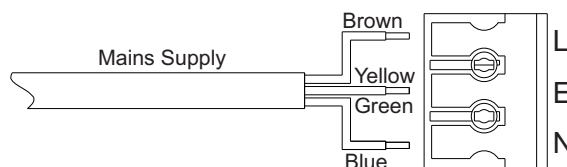


CCT & POWER ADJUSTABLE:

 Switch off the mains supply before changing power or CCT



WIRING DIAGRAM:



Use the LED gear tray switch to change the CCT temperature

TECHNICAL SPECIFICATIONS:

- Input Voltage: 220-240V/AC
- Tri-Power Selectable: 9W / 14W / 18W
- Light Output: 9W - 900lm
14W - 1450lm
18W - 1850lm
- CCT Changeable (switch):
3000K/4000K/6500K
- CRI > 80
- IP Rating: IP65
- Protection Class: Class II
- Housing: PC Body & Diffuser
- Operating Temp.: -15°C to +40°C
- Dimensions: Diameter 315mm / depth 80mm
- Warranty: 5 years

INSTALLATION INSTRUCTIONS:

⚠ Switch off the mains supply before installation.

