

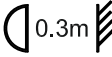


LEDLITE™ ⓘ User Instructions

LTWP15 - 15W Slim Wall Pack

LTWP15PC - 15W Slim Wall Pack c/w Photocell

CCT & Power Changeable



220-240V/AC

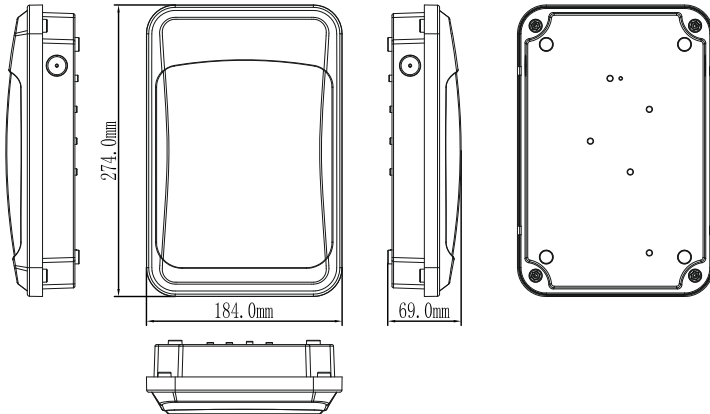
Please read these instructions and retain them for future reference.

Important information:

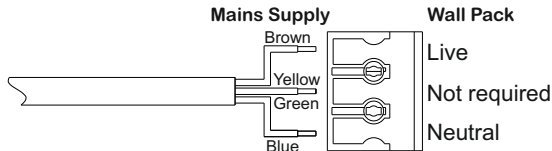
It is recommended that this fitting is installed by a qualified electrician ensuring the installation complies with current IEE wiring regulations & local building control.

- This product is designed for connection to a 220-240V mains supply.
- Only mount on level and stable surfaces.
- We cannot accept responsibility for any claims arising from a poor installation.
- Always switch off mains supply before installation.
- The light fitting is Class II and does not require an earth connection.

DIMENSIONS:



WIRING DIAGRAM:

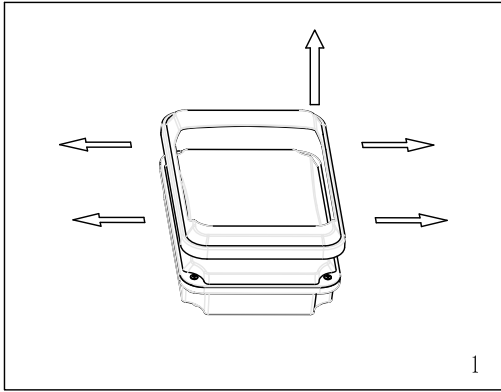


TECHNICAL SPECIFICATIONS:

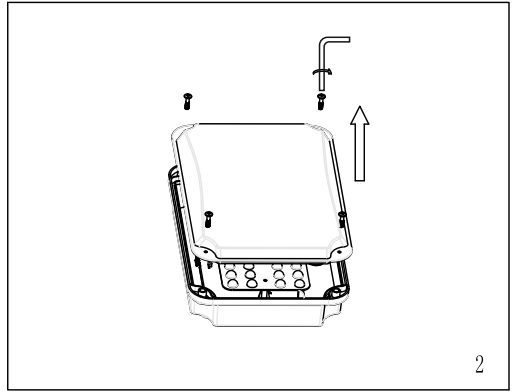
- Input Voltage: 220-240V/AC
- Input Current: 135mA
- LEDs: SMD 2835, 10x2pcs, 9V, 1W
- Tri-Power Selectable: 9W / 12W / 15W
- CCT Changeable (switch): 3000K/4500K/6500K
- Efficacy: 100lm/W
- Light Output: 9W - 900lm
12W - 1200lm
15W - 1500lm
- CRI > 80
- Beam Angle: 120°
- IP Rating: IP65
- Protection Class: Class II
- Housing: PC Base & Diffuser
- Operating Temp.: -15°C to +40°C
- IK Rating: IK10
- Warranty: 3 years
- LTWP15PC Photocell: ON <20Lux / OFF >60Lux

INSTALLATION INSTRUCTIONS:

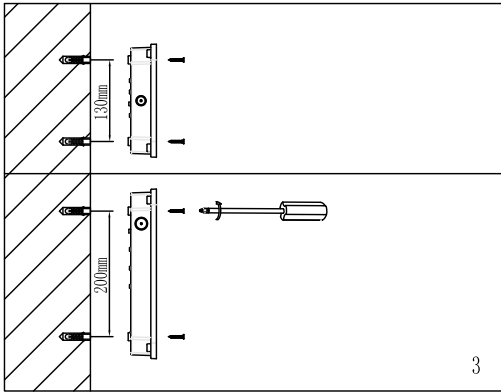
⚠ Switch off the mains supply before installation.



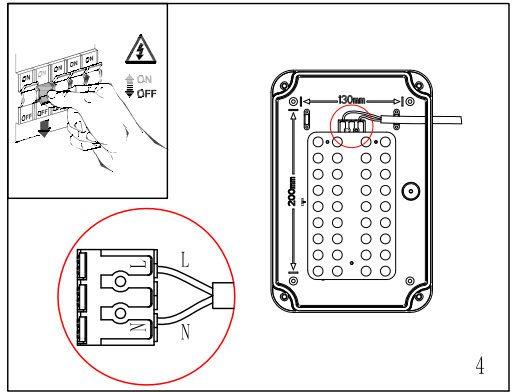
Unclip the cover to access the diffuser screws.



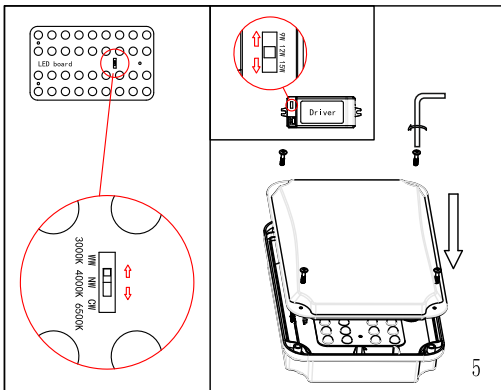
Use the provided Allen key to unscrew the 4 diffuser screws and remove the diffuser



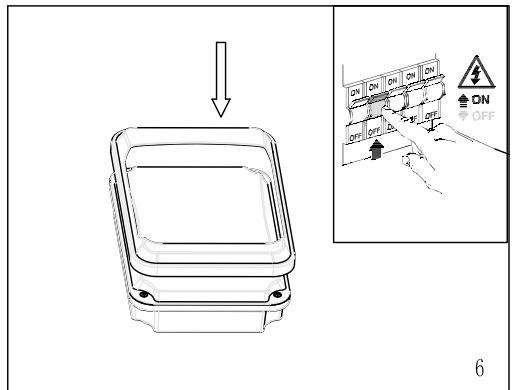
Fix the base to the wall using adequate fixings, ensuring the fixing surface is even and flat.



Use any side for cable entry, create a 20mm hole to fit the included gland. Pass the wires through the gland and connect them as per the wiring above.



Select the CCT from the switch on the LED board and the power required from the switch located on the driver and screw back the diffuser making sure the base seal is in place and undamaged.



Clip the cover back onto the fitting and turn on mains supply to test the wall pack.

LEDLITE™

For further information visit www.tlc-direct.co.uk