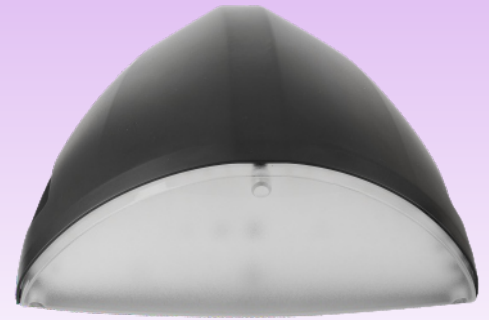
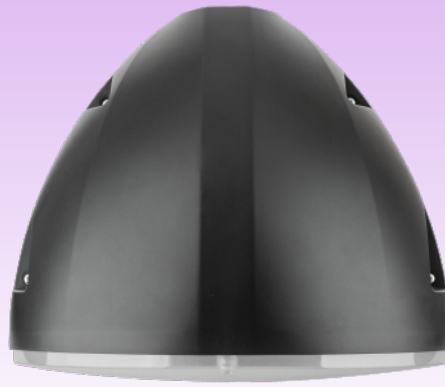


LED LITE™
Energy Saving LED



LTWP24CCT 24W LED Wall Pack IP65 CCT and Multi Power - Black Polycarbonate

This 24W LED Wall Pack offers unmatched versatility and performance, making it an excellent choice for a wide range of applications. It features CCT adjustability, allowing you to select the perfect colour temperature to suit your environment, and multi-wattage capability for tailored energy usage. With a high efficacy of 150lm/W, it ensures maximum brightness with minimal power consumption.

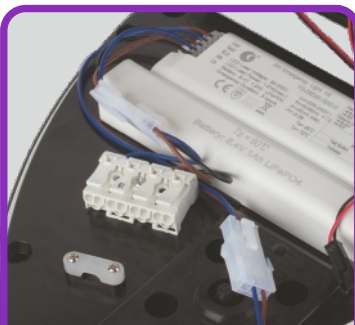
Designed for convenience, a quick plug-in emergency pack is available for seamless operation during power outages and a quick plug-in photocell for automatic dusk-to-dawn functionality (both sold separately). Ideal for outdoor and perimeter lighting, this durable and energy-efficient solution guarantees optimal performance, enhanced safety, and significant energy savings.



CCT Changeable - 3000K/4000K/6500K
Multi Wattages - 12W/16W/20W/24W



Back and Two Side Conduit
Cable Entries



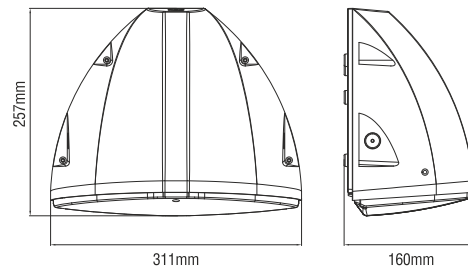
Push Fit Terminal Block

Features & Benefits:

- Multi Wattages: 12W/16W/20W/24W
- CCT Changeable – 3000K/4000K/6500K
- High Efficacy >150lm/W
- Up to 3600lm
- IP65 Rated
- Back and two side conduit cable entries
- Besa Box compatible
- Push fit terminal block
- Quick Plug-in & screwless emergency pack (LTEM) and Photocell (LTWPPC) - sold separately
- Corrosion Proof
- High-Strength Polycarbonate Base & Diffuser
- Wide beam angle and no glare
- Evenly diffused light output
- Resistant to shock and vibration
- 5 year warranty

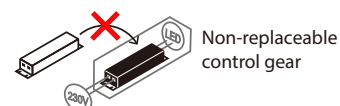
35% Energy Saving **50,000** Hour LED Lamp Life

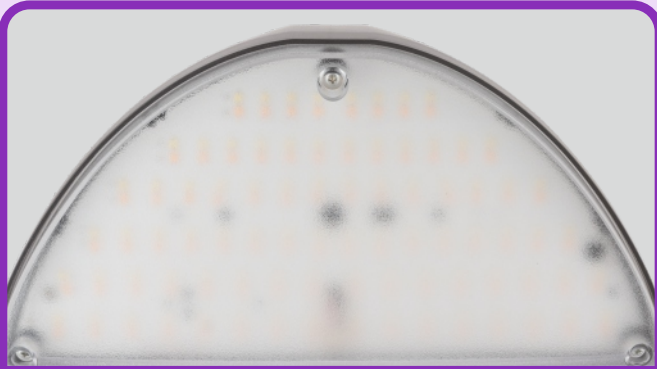
Dimensions(mm):



Technical Specifications:

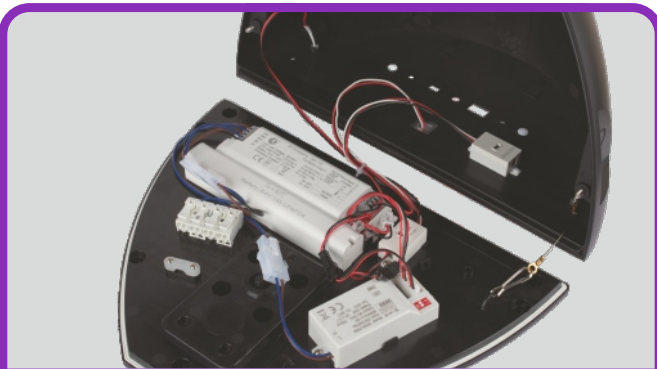
Input Voltage:	220-240 V/AC,50-60Hz	Efficacy:	>150lm/W (4000K)
Power:	24/20/16/12W Switchable	CRI:	>80
LEDs:	SMD 2835	IP Rating:	IP65
CCT Changeable:	3000K/4000K/6500K	Protection Class:	Class II
Light Output:	1800lm - 3600lm	Housing:	Polycarbonate
DF (Dissipation factor):	>0.7	Operating Temp.:	-15°C to +40°C
Ripple Current:	<10%	Dimmable:	No
Dimensions:	311*257*160mm	Warranty:	5 Years





High-Strength Polycarbonate Base & Diffuser

- Wide Beam Angle and No Glare
- Evenly Diffused Light Output




Quick Plug-in & Screwless Emergency Pack (LTEM) and Photocell (LTWPPC)

CCT
3000K/4000K
6500K

UP TO
3600
LUMEN

WATT
12W/16W
20W/24W



-15°C +40°C

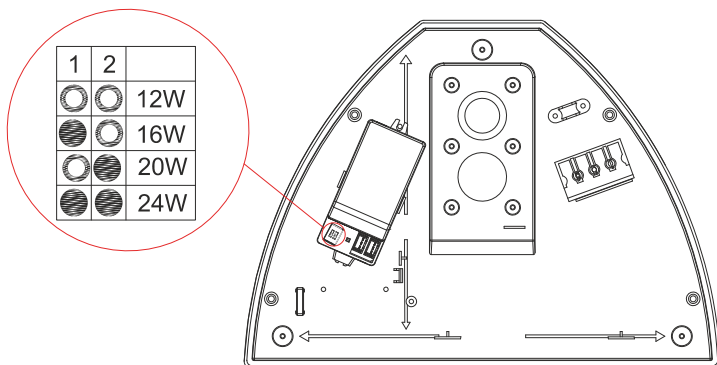
AC
220V/240V

CRI
>80

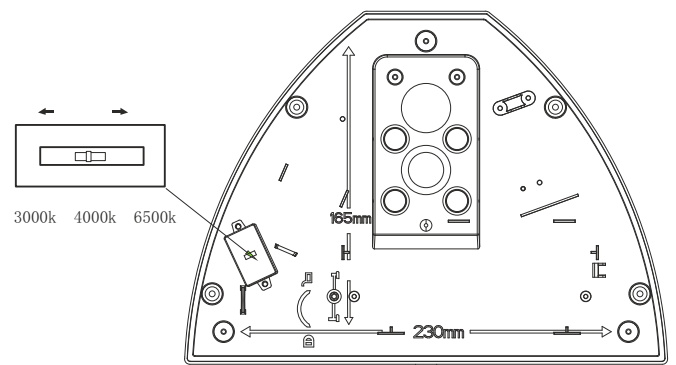
IP65
RATED

CCT & Power Adjustable:

 Switch off the mains supply before changing power or CCT



Open the LED gear tray and use the driver DIP switch to change the power



Use the Switch box to change the CCT temperature