

LEDLITE™ Installation Sheet



LTWP24CCT LED WALL PACK

CCT Changeable / Multi Wattage
12W/16W/20W/24W

UK CA CE RoHS 220-240V

These instructions should be read carefully and retained after installation for further reference and maintenance.

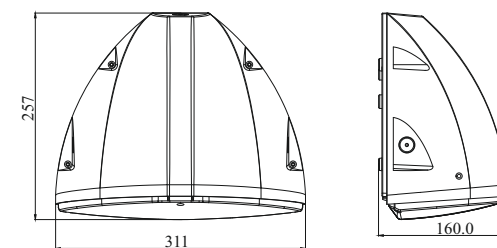
SAFETY

- Before installation, ensure that the mains supply to the luminaire is switched off and the circuit supply fuses are removed or circuit breaker turned off.
- It is recommended that a qualified electrician is consulted or used for the installation of this luminaire and installed to the current edition of the IEE wiring regulations.
- Check that the total load on the circuit, including this luminaire, does not exceed the rating of the circuit cable, fuse or circuit breaker.

RATINGS

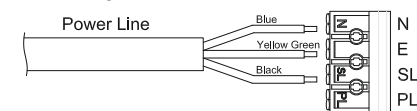
- This luminaire is of Class II construction and it does not require an earth connection
- IP65 rated
- F marked, suitable for installation on normal flammable surfaces
- Working Temp.: -15°C to 40°C
- 220-240V/AC rated
- CE Approved

DIMENSIONS:

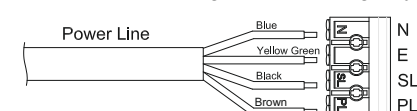


WIRING DIAGRAM:

Standard Wiring:

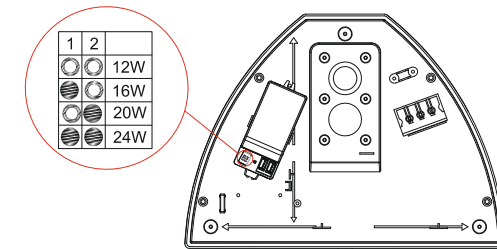


When used with Quick Plug-in LTEM Emergency Pack:

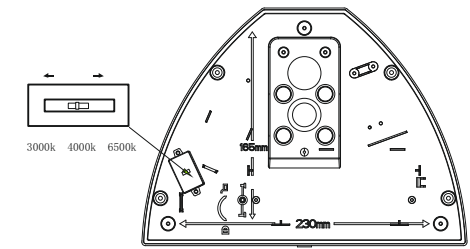


CCT & POWER ADJUSTABLE:

Switch off the mains supply before changing power or CCT



Open the LED gear tray and use the driver DIP switch to change the power



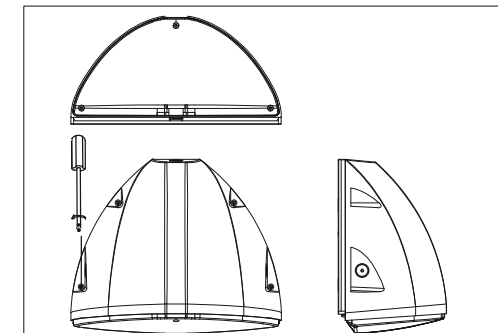
Use the Switch box to change the CCT temperature

TECHNICAL SPECIFICATIONS:

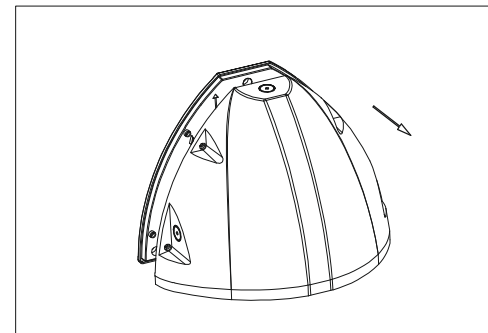
- Input Voltage: 220-240V/AC
- Tri-Power Selectable: 9W/12W/15W/18W
- Light Output: 12W – 1800lm
16W – 2400lm
20W – 3000lm
24W – 3600lm
- CCT Changeable (switch): 3000K/4000K/6500K
- CRI > 80
- IP Rating: IP65
- Protection Class: Class II
- Housing: PC Body & Diffuser
- Operating Temp.: -15°C to +40°C
- Dimensions: 311*257*160mm
- Warranty: 5 years

INSTALLATION INSTRUCTIONS:

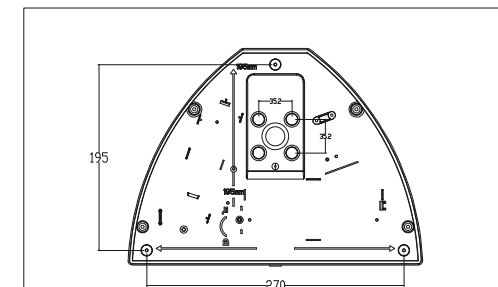
Switch off the mains supply before installation.



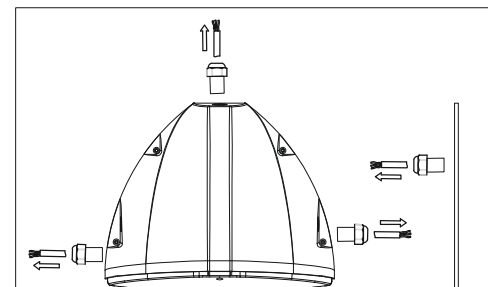
1. Remove the body screws and separate it from the base.



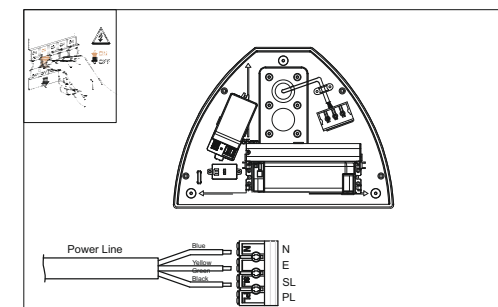
2. Remove the body from the base



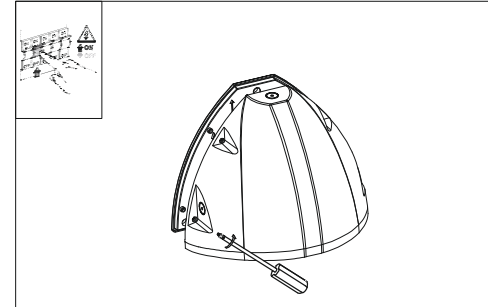
3. Select an appropriate flat installation area. Securely attach, the base to the solid surface using appropriate fixings



4. Make sure the mains power supply is switched off. Feed the supply cable into the luminaire, ensuring the entry point is smooth or fitted with a grommet.



5. Connect the cable to the terminal block following the wiring instructions.

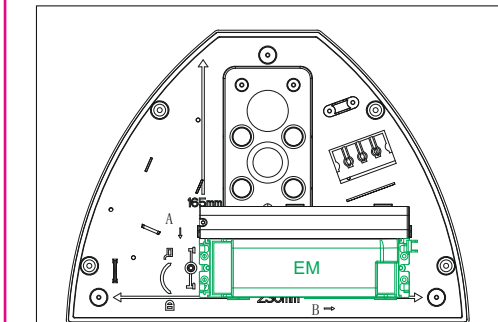


6. Re-fit the body by placing it over the base and lock into position using the screw.

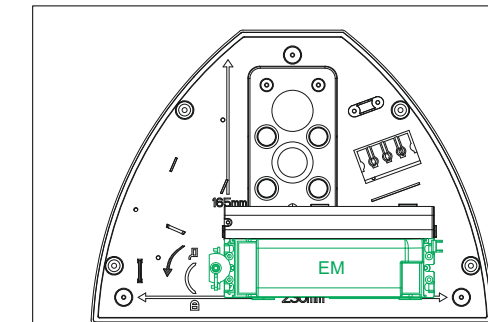
Emergency Pack (LTEM) and Microwave Sensor (LTMS) Installation Instructions

Switch off the mains supply before installation.

Emergency Pack (LTEM) Installation:

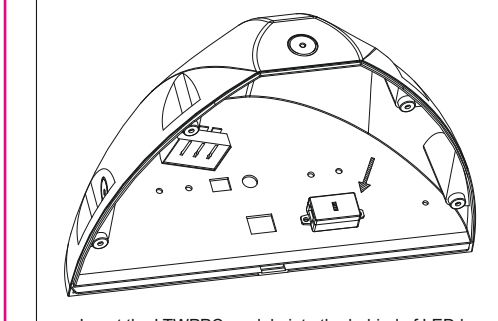


Insert the LTEM Emergency Pack module into the marked slot.

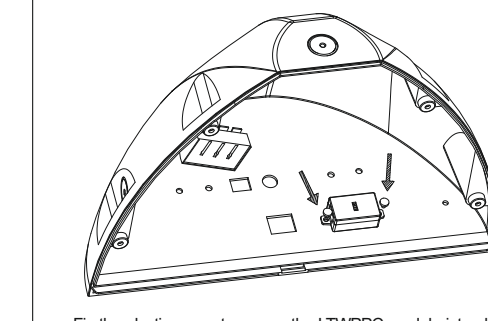


Turn and lock the fixing clip to secure the emergency pack module into place.

Photocell(LTWPPC) Installation:

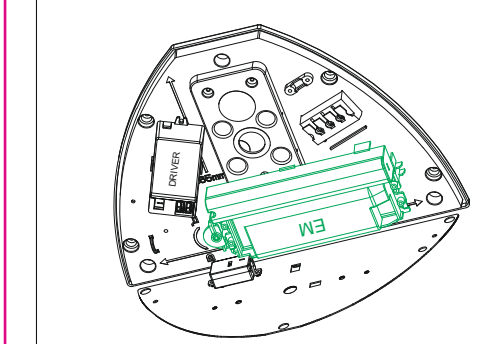


Insert the LTWPPC module into the behind of LED board

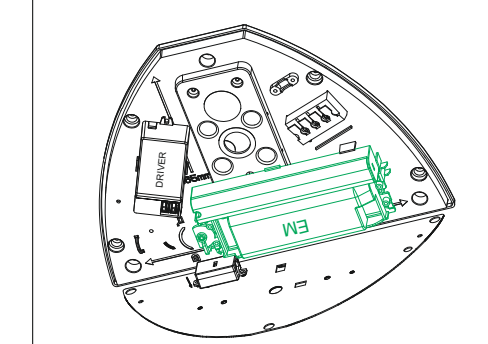


Fix the plastic screw to secure the LTWPPC module into place.

Emergency Pack (LTEM) and Photocell(LTWPPC) Installation:

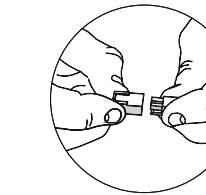


Insert the both LTEM Emergency Pack and LTWPPC photocell into the marked slots.

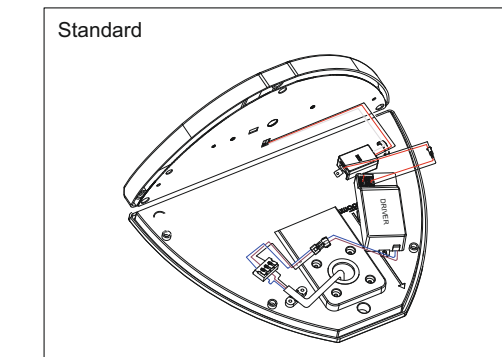


Turn and lock the fixing clips to secure the modules into place.

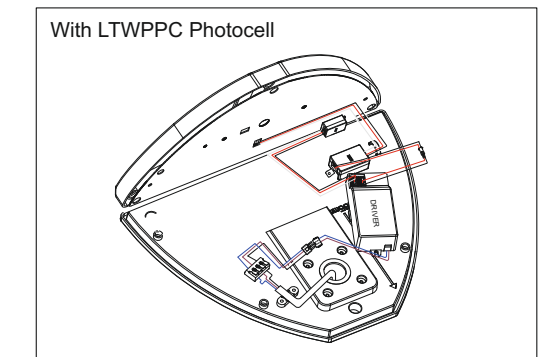
Emergency Pack (LTEM) and Photocell(LTWPPC) Wiring:



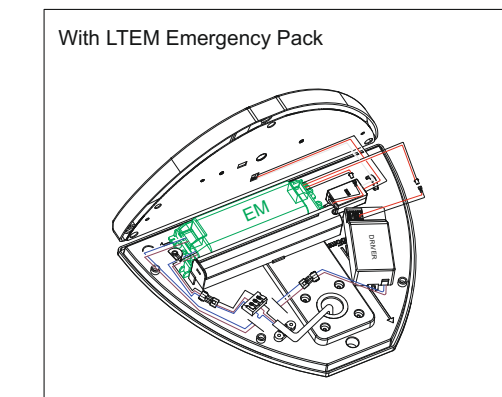
Plug in the wires as per the wiring diagrams below:



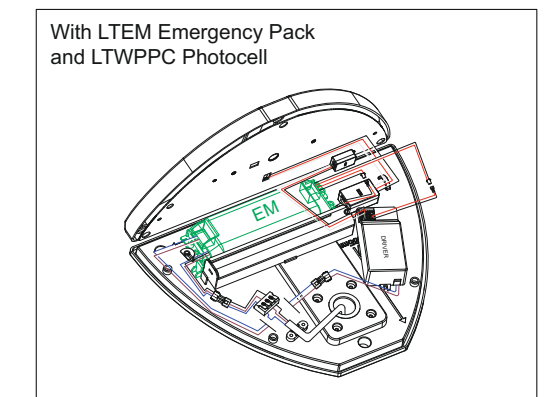
Standard



With LTWPPC Photocell



With LTEM Emergency Pack



With LTEM Emergency Pack and LTWPPC Photocell

LEDLITE™

Energy Saving LED