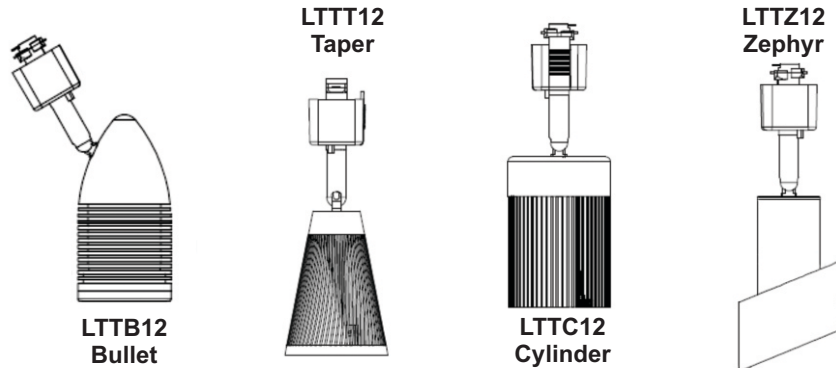


# Installation Sheet LED LITE™ LED Track Light 12W

   240V 12W

Please read these instructions before commencing installation & retain them for future reference.



## Important information

It is recommended that the fittings are installed by a qualified electrician ensuring the installation complies to current IEE wiring regulations & local building control.

- These products are designed for connection to a 230-240V mains supply.
- We cannot accept responsibility for any claims arising from a poor installation.

## Important User Advice

- Always switch off mains supply before installation.
- The fitting is suitable for indoor use only.

## Installation Procedure

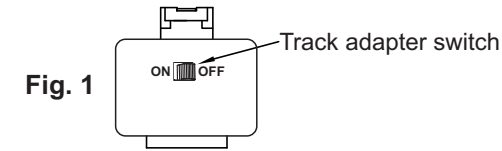
Ensure that the track is wired correctly and fixed to its mounting surface in accordance with installation instructions.

The track adaptor supplied with the fitting is suitable for single circuit track.

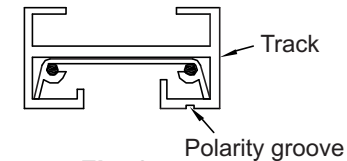
LEDLITE track fittings are compatible with TLC tracks - Part No. GL4 & GL8.

## Fixture Installation:

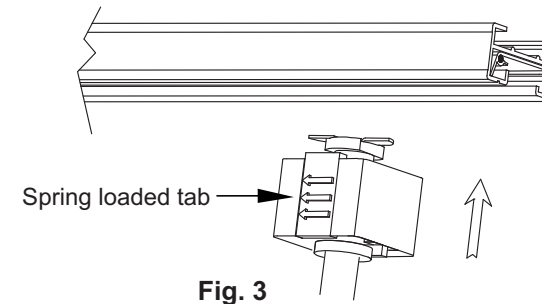
1. Make sure the track adapter switch is in "OFF" position (**Fig. 1**).



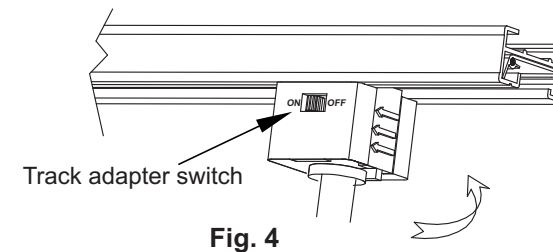
2. Note the track has a groove running its length to indicate polarity (**Fig. 2**).



2. Note the arrows on the locking tab (spring loaded).  
3. Insert adapter into the track slot (**Fig. 3**), compressing the spring loaded tab downward.



4. Rotate the track adapter 90°. The arrows should point to the grooved side of the track (**Fig. 4**). Make sure the locking tab seats in the track slot.



5. Flip the track adapter switch to the "ON" position. Track heads may be positioned anywhere along the track length. Aim the fixture to your desired position. Fixture adjusts 350° horizontal and 180° vertical.