



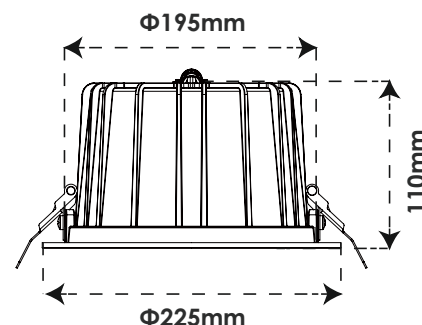
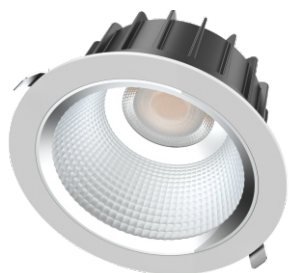
## LTCMDL35

## 35W Commercial Downlight

The LTCMDL35 35W LED Commercial Downlight is a versatile, high-performance lighting solution designed for modern commercial environments. Featuring an integrated 3CCT selectable switch, it allows users to easily choose between warm, neutral, or cool white light (3000K / 4000K / 6000K) at the point of installation, increasing on-site flexibility. Delivering up to 3900 lumens, this downlight provides powerful, uniform illumination while maintaining excellent visual comfort with low glare (UGR <19). The durable aluminium housing, IP54 rating, and included mirror reflector ensure long-lasting performance and high-quality light output, making it ideal for offices, retail spaces, hospitality, and public buildings.

### Features & Benefits:

- 3CCT selectable switch (3000K / 4000K / 6000K) for flexible lighting
- Supplied with non-dimmable driver (dimmable options available with suitable driver)
- Up to 3900 lumens high output from just 35W
- 60° beam angle for controlled, even light distribution
- Low glare (UGR <19) – ideal for office and commercial use
- CRI >80 for accurate and natural colour rendering
- Robust aluminum housing for efficient heat dissipation
- IP54 rated – suitable for areas exposed to dust and moisture
- Supplied with mirror reflector for improved light performance
- Easy installation with Ø200–210mm cut-out
- 5-year warranty for peace of mind



### Dimensions:

### Technical Specifications:

<b>Power:</b>	35W	<b>LED:</b>	SMD
<b>Voltage Range:</b>	AC220-240V	<b>Downlight Voltage:</b>	33-39V 50/60Hz DC
<b>Power Factor:</b>	0.9	<b>Downlight Current:</b>	900mA ±5%
<b>Lumens:</b>	up to 3900lm	<b>Dimmable:</b>	Trailing & Leading Edge
<b>CCT:</b>	3000L/4000K/6000K		0-10V, DALI with suitable driver
<b>Beam Angle:</b>	60°	<b>Protection Class:</b>	Class II
<b>CRI / UGR:</b>	CRI>80 / UGR<19	<b>IP Rating:</b>	IP54
<b>Housing Material:</b>	Aluminium	<b>Warranty:</b>	5 years
<b>Dimensions(mm):</b>	225x110mm	<b>Complete with Mirror Reflector and Driver</b>	
<b>Cut Size(mm):</b>	200-210mm		



220-240V/AC