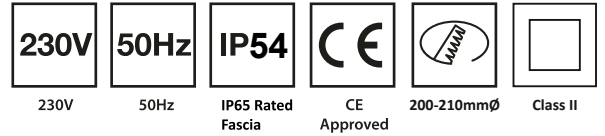


LEDLITE™ LTCMDL35

Installation Sheet



35W Commercial LED Downlight CCT changeable C/W Driver and Connector

General Instructions

These instructions should be read carefully and retained after installation for further reference and maintenance.

Safety

Before installation or maintenance ensure that the mains supply to the luminaire is switched off and the circuit supply fuses are removed or circuit breaker turned off.

- A qualified electrician **MUST** be consulted or used for the installation of this luminaire.
- This luminaire must be installed to the current edition of the IEE wiring regulations and relevant building regulations.
- Check that the total load of the circuit, including when this luminaire is fitted, does not exceed the rating of the circuit cable, fuse or circuit breaker.
- This fitting is Class II and does not require an earth connection.

Installation

- Cut a suitable hole in the ceiling as per the cut-out details ensuring that it does not infringe with electrical cables, water/gas pipes or ceiling joists. (see fig 1.)
- Wire the cable as per the wiring diagram fig. 2.
- Fit the downlight into the hole (see fig. 3) in the ceiling with the 2 spring clips supplied. (see fig. 4)
- Test for correct operation.

Dimming

- The downlight comes as standard with a non-dimmable driver.
- The downlight is Trailing & Leading Edge, 0-10V or DALI dimmable when used with a suitable driver.

Colour Changing Function

The LTCMDL35 is a 3CCT changeable fitting. The colour temperature is adjusted using the sliding switch on the front of the light module from 3000K, 4000K to 6000K.

To access the light module unscrew the reflector and locate the colour changing switch. Once the colour temperature is set, close the downlight by screwing back the reflector. (see below)

Die Casting Aluminium heat sink

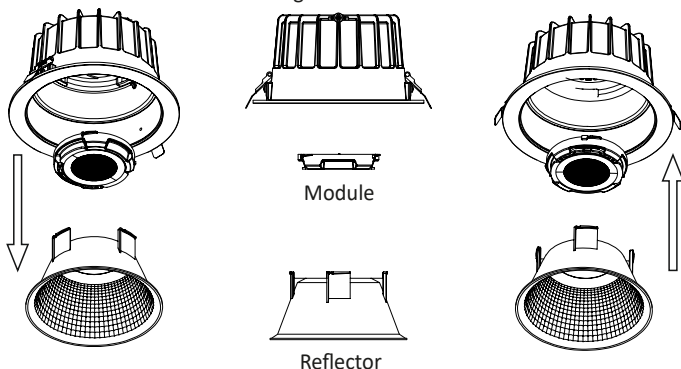


Fig. 1

Cut mounting hole in the ceiling 200-210mm diameter

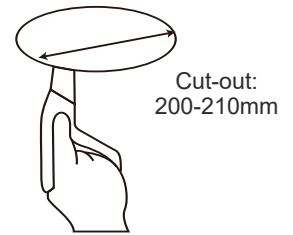


Fig. 2

Connect mains supply to downlight

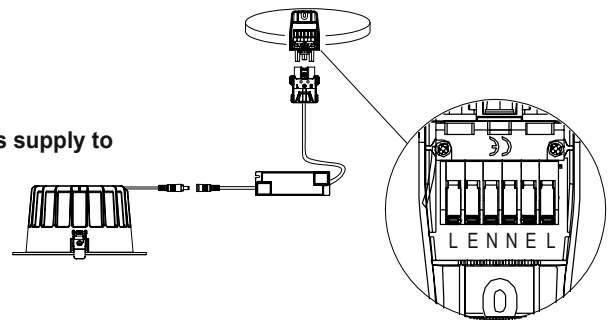


Fig. 3

Fold spring clips upwards and insert downlight into hole

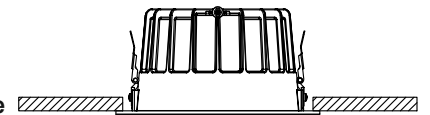
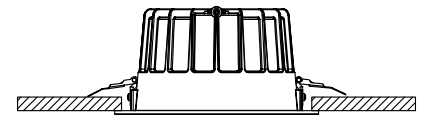
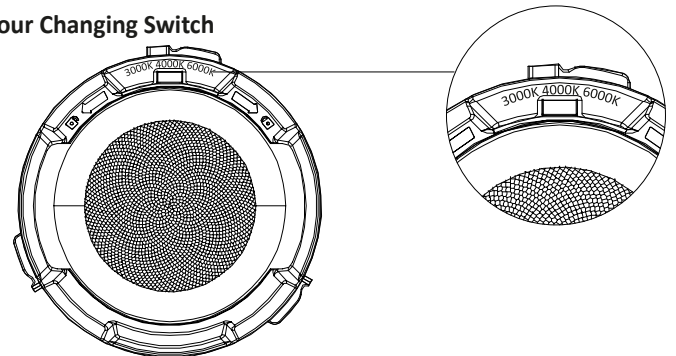


Fig. 4

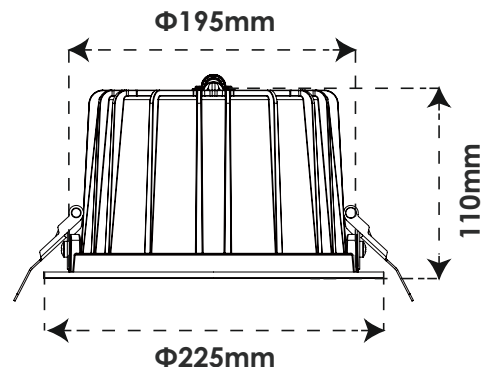
Release spring clips to hold the downlight in place



Colour Changing Switch



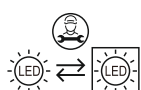
Dimensions



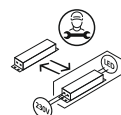
SAFETY FIRST

- BEFORE STARTING ANY ELECTRICAL WORK ALWAYS SWITCH OFF AT THE MAINS
- IF IN DOUBT CONSULT A QUALIFIED ELECTRICIAN

For further information visit www.tlc-direct.co.uk



Replaceable light source by a professional



Replaceable control gear by a professional