

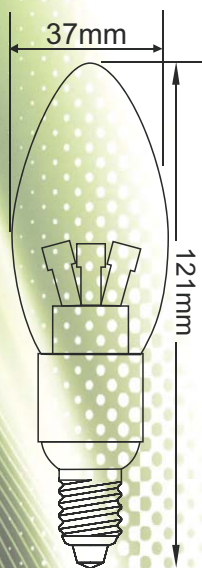
5W LED Candle lamp

LED LITE™
Energy Saving LED

Introduction:



Dimensions:



1. 360 degrees glow to overcome failings of LED linear emission.
2. Fast cooling - High thermal conductivity aluminium shell & exquisite air flow.
3. Hard tempered glass cover with variety shape optional.
4. High Lumen LED. Much better brightness than traditional lamp.
5. In-line luminous structure to achieve 360 degree lighting. Possess many Utility Patents.
6. Standard Base to connect with traditional socket.
7. High efficiency & high Power Factor driven-green & energy saving. Non-dimmable drivers apply Japan Redruby components, while USA IC design for dimmable products (no capacitor). 0% - 100% dim no flashing.
8. No fog/steam after lighting.
9. CE, RoHS, PSE, ERP approved.

Certificate

CE RoHS

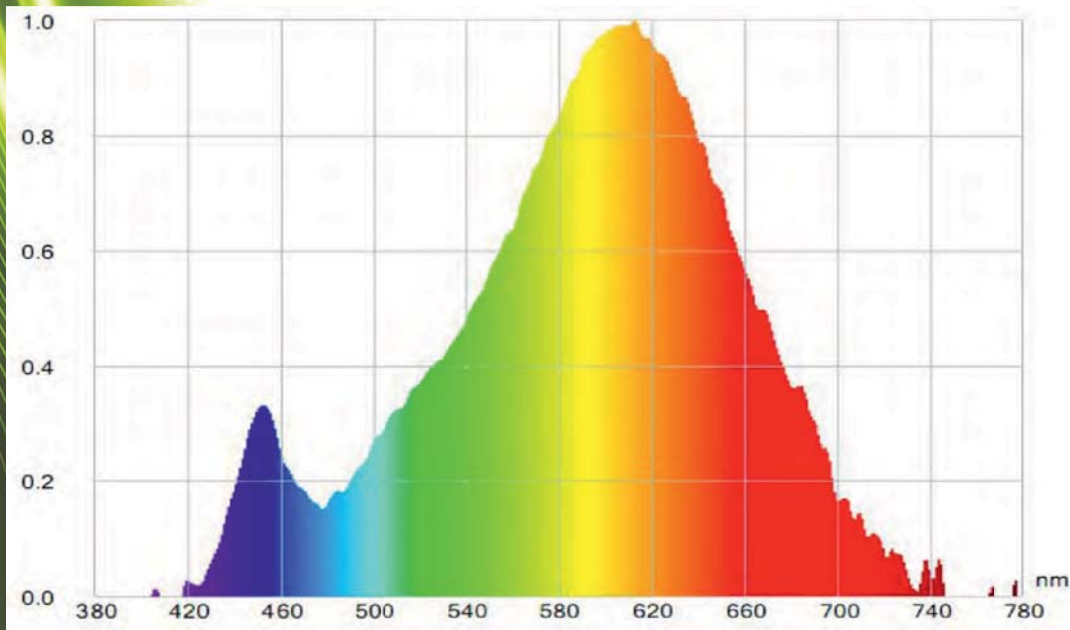
Product Information

Technical Specifications

Model	Voltage	Power	Power Factor	Lumen (±5%)	Beam angle	CCT	Lifespan	CRI	Dimmable	Dimension
LTCAD5WW	AC110/220V	5W	>0.9	402	360°	2700	35000hs	>0.8	YES	Ø37*121mm
LTCAD5W	AC110/220V	5W	>0.9	430	360°	4000	35000hs	>0.8	YES	Ø37*121mm
LTCAD5CW	AC110/220V	5W	>0.9	450	360°	5000	35000hs	>0.8	YES	Ø37*121mm

Spectral Distribution

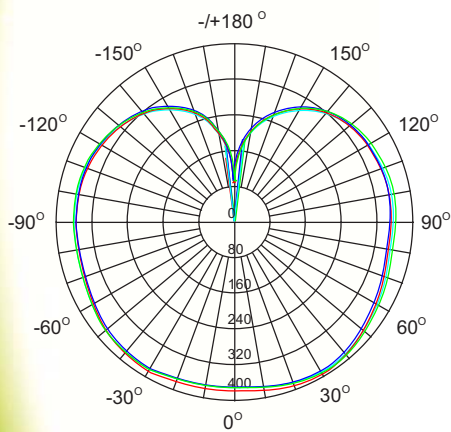
2700K



Fixture Compatibility

Rated Wattage	Electrical Classification	Base	Ingress Protection (IP)	Operating Temp	Operating Humidity	Storage Temp
5W	II	E22/E17/B22/B15	30	-45°C~50 °C	0~90%	-60°C~80°C

Polar Diagram Comparison



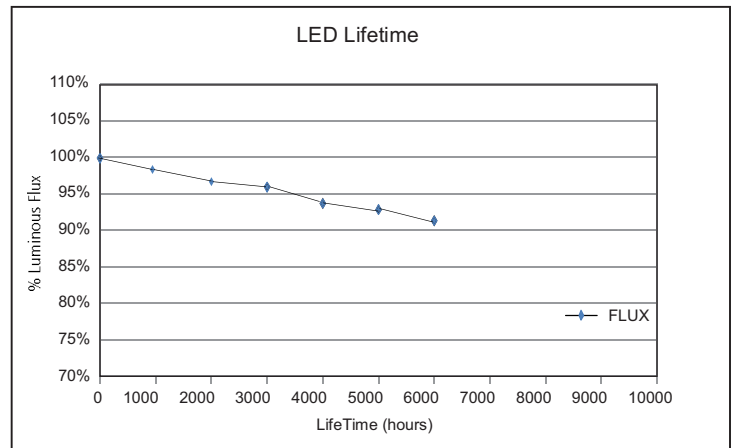
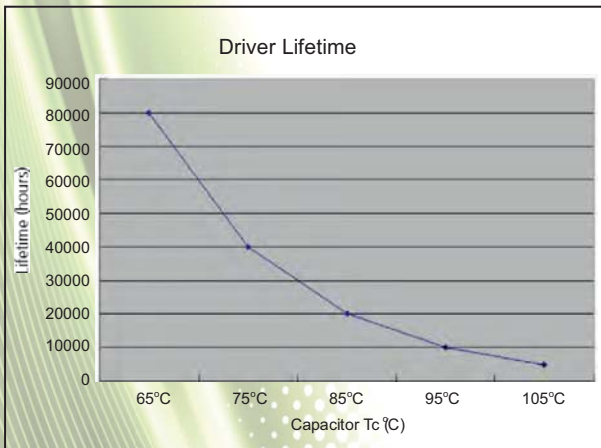
AVERAGE BEAM ANGLE (50%): 357.5DEG

UNIT: cd

- C0/180, 357.6 deg
- C30/210, 357.5 deg
- C60/240, 357.5 deg
- C90/270, 357.5 deg

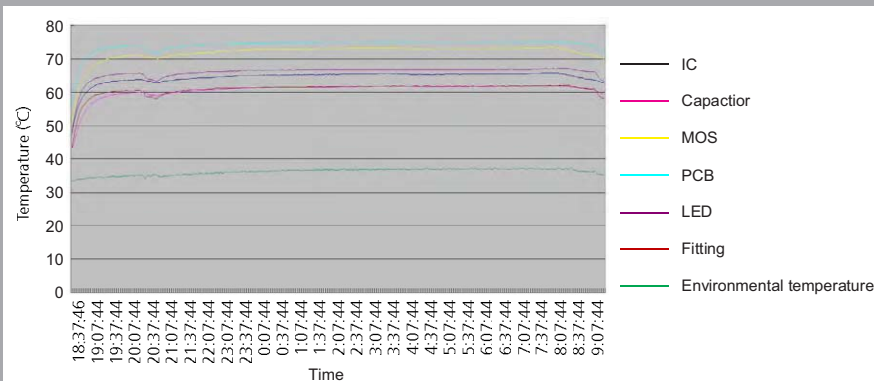


Driver lifetime & LED lifetime



Temperature

- The testing is operated at 35°C environment temperature.
- The min lifetime for capacitor is 5000hours at 105°C, the lifetime will be double when the temperature drop each 10°C
- Maximum case temperature for rated 40,000hr lifetime: 75°C
- The highest withstand temperature of IC is 120°C
- The highest withstand temperature of MOS is 120°C
- The highest withstand LED junction temperature is 120°C



The driver lifespan is based on capacitor working temperature.

Installation



Packaging Information

	SIZE(CM)	N.W/pc (KGS)	G.W.(KGS)	Q'TY(PCS)
Carton	60 x 31x 34	0.04	41	100

