

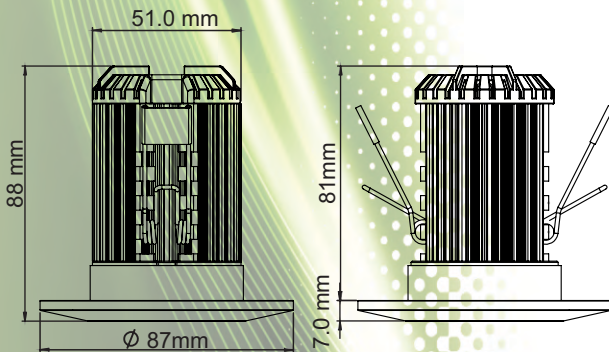
## AC Direct COB LED Fire Rated Dimmable Downlight

AC Direct COB Led Fire Rated Downlight with a unique new Semiconductor Array, meaning that there is no need for a switch mode driver, removing the usual point of LED failure. It just connects direct to AC lighting circuit and is surge protected up to 3000V.

This AC Direct Fire Rated Downlight gives 90 minutes protection in the event of a fire. It ensures that the fire barrier offered by your ceiling is not compromised. This high quality LED downlight is ideal for use in offices and retail spaces.



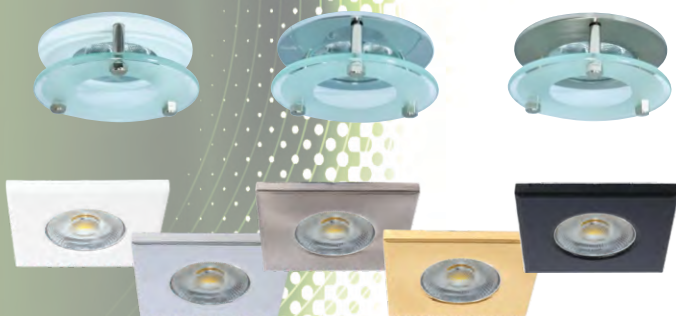
### Dimensions:



### Interchangeable Bezel Colours

#### Bezel Colour Available:

Premium White (Gloss or Matt), Polished Chrome, Brushed Chrome, Polished Brass, Brushed Brass, Matt Black, Piano Black, Mocha, Graphite.



### Key specifications:

- Power Source: 220-240V/AC
- Frequency: 50/60Hz
- LED Type: AC Direct COB LED
- Compact, high efficiency
- Housing: Aluminium
- Rated Load: 9W
- Lumen Output: 780 lumens
- Power Factor: 0.97
- Colour: Warm White, Neutral White, Cool White
- Zero Maintenance
- Various bezel colours and finishes
- Flexible cut-out size (64-70mm)
- CRI >80
- Long Life - 5 year guarantee
- IP Rating: IP65
- Dimmable

