

# LEDLITE™

## LTEM70

### Emergency Inverter for LTSP70 Panel Light



The LTEM70 emergency inverter is designed to be used with the LTSP70 Panel Lights. The housing of the LTEM70 emergency inverter includes the PCB, output connection plugs and the Li-FePO4 battery with a long lifespan.

#### Operating Principle:

The LTEM70 emergency inverter is designed to be used with the LTSP70 Panel Lights. All the components of the LTEM70 are encapsulated in one compact protective case. Inside the protective case can be found the PCB, output connections plugs and the Li-FePO4 battery with a long lifespan.

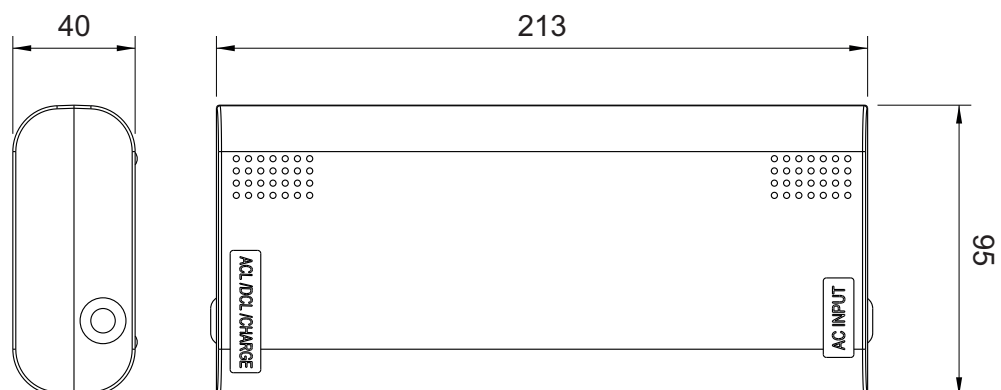
#### Features:

- Compact design with all the components in one case
- Safe Voltage Output
- Deep discharge protection voltage  $5.2V \pm 0.2V$
- Overcharge protection voltage  $7.3V \pm 0.2V$
- High efficiency and low temperature
- Extended lifespan
- Fire-resistant plastic housing made of a fire-resistant PC

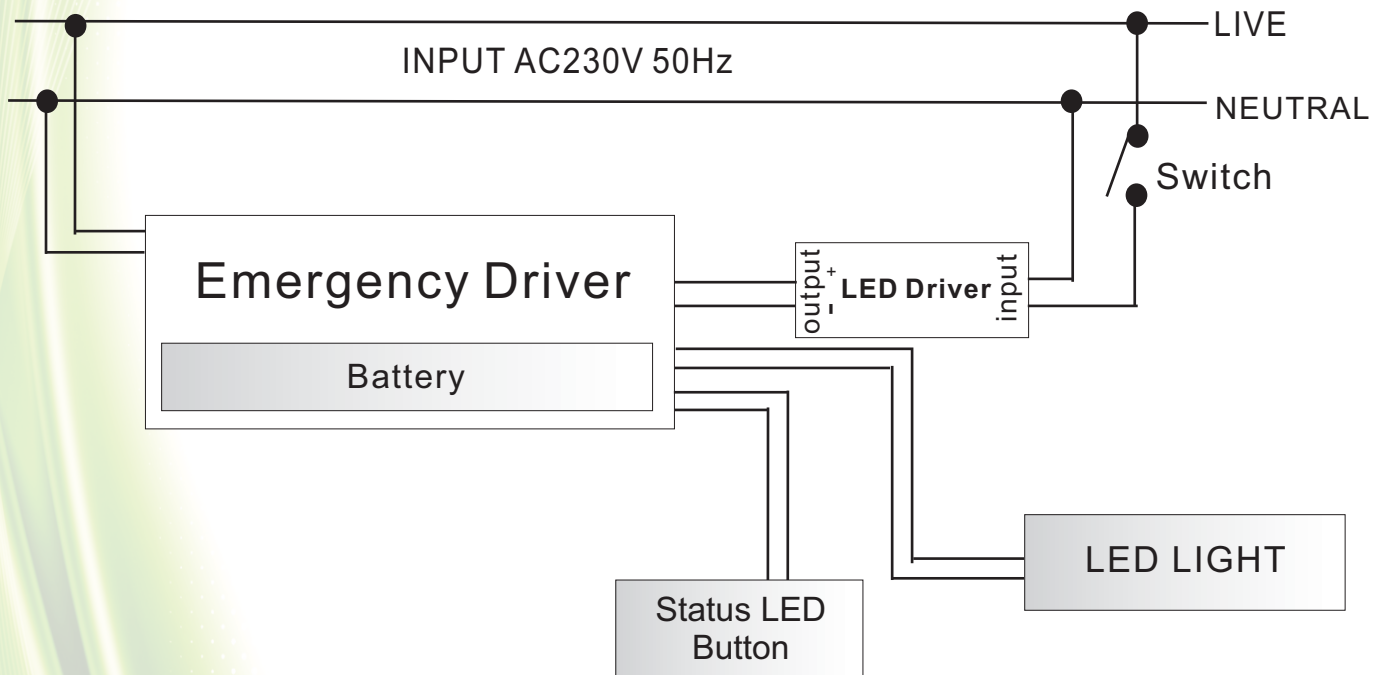
#### Battery features:

- High capacity Lithium-Iron Phosphate (LiFePO4) battery.
- High temperature resistant battery
- 6.4V Lithium-Iron battery pack 5500mAh
- Simple plug-in connection

#### Dimensions:



Wiring Diagram:



Technical Specifications:

Working Voltage	220-240V/AC 50/60Hz	Battery Type	32650 Li-FePO4 6.4V 5500mAh	Dimensions	L213*W95*H40mm
Power Factor	0.39	Charging Time	24h	Safety Classification	Class I
Power Consumption	5W Charging 1W at Full Battery	Emergency Time	≥180 minutes	Installation Hole Size	100mm
Deep Discharge Protection Voltage	5.2V±0.2V	IP Rating	IP20	Working Temperature	0°C - +40°C
Overcharged Protection Voltage	7.3V±0.2V	Luminous Flux	850Lm	Warranty	2 years
LED Output Power	7.4W	Weight	0.59kg	Body Material	Polycarbonate

