

**LED LITE™**  
Energy Saving LED



**LTFL235RGB**

**20W/30W/50W RGB Multi Power LED Floodlight**

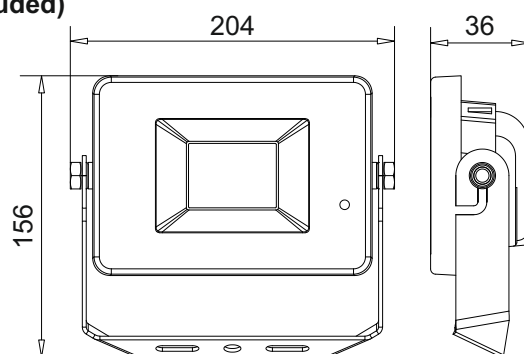
Upgrade your lighting projects with our 20W/30W/50W RGB LED Floodlight, engineered for versatility and ease of installation. Featuring selectable wattage and full RGB colour control with preset scenes, it offers the flexibility to adapt to a wide range of applications. Designed for external use, the unit delivers high-output, uniform illumination with excellent energy efficiency. The robust aluminium housing and IP65 rating ensure long-term reliability in demanding environments, making it ideal for residential, commercial and landscaping installations. Suited for use in gardens, signage, outdoor seating areas, feature lighting and general-purpose flood applications, this compact unit offers strong performance with minimal maintenance.

Applications: gardens & driveways, parking areas, signage and display lighting, building facades, commercial and outdoor lighting seasonal or festive decoration.

### Features & Benefits:

- RGB LED SMDs
- 4 Adjustable Modes
- Slim, Durable Design
- IP65 Rated – Weather Resistant
- CRI>80
- Class I - Requires earth connection.
- Material: Die cast Aluminium body with tempered glass diffuser
- Slim, Durable Design
- Slide-in Bracket for quick and easy installation
- Additional round bracket
- Switch: Remote Control (included)

### Dimensions(mm):



### Technical Specifications:

<b>Input Voltage:</b>	220-240 V/AC 50Hz	<b>Protection Class:</b>	Class I
<b>Power output:</b>	20/30/50W	<b>Dimensions:</b>	204 x 36 x 156mm
<b>Light Source</b>	SMD LED	<b>Housing Material:</b>	Aluminium
<b>CCT:</b>	RGB	<b>Reflector:</b>	Metal
<b>Beam Angle:</b>	>110°	<b>Switch:</b>	Remote Control(included)
<b>Ambient Temp.:</b>	-20°C to +40°C	<b>Finish:</b>	Black
<b>IP Rating:</b>	IP 65	<b>Warranty:</b>	3 years

AC  
220V  
240V

Hz  
50/60

IP 65  
RATED

CRI  
>80

RoHS  
COMPLIANT

CE



UK  
CA

