

## LTFL235RGB - 20/30/50W Multi Power RGB LED Floodlight

IP65    220-240V

**Please read these instructions before commencing installation & retain them for future reference.**

### Important information


It is recommended that floodlights are installed by a qualified electrician ensuring the installation complies to current IEE wiring regulations & local building control.

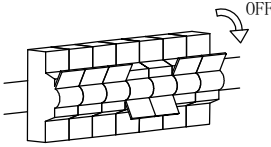
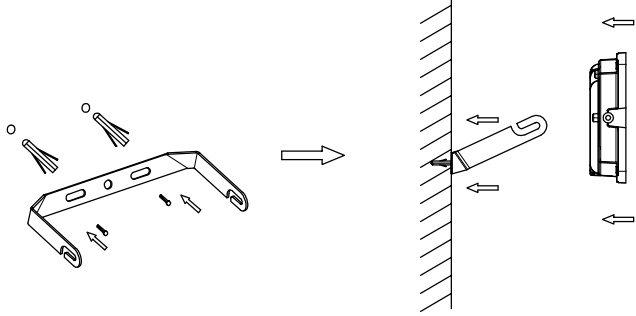
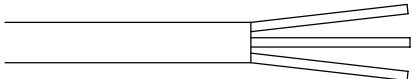

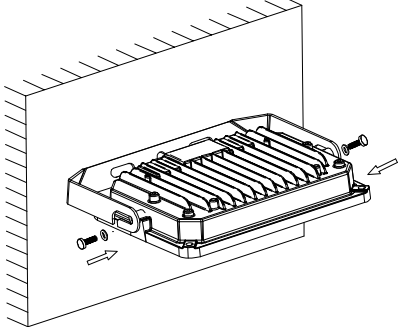
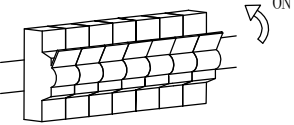
- These products are designed for connection to a 220-240V mains supply.
- Any broken or damaged parts should be replaced as soon as possible.
- We will not accept responsibility for any claims arising from a poor installation.

### SPECIFICATIONS:

- **Voltage range:** 220-240 V AC
- **Frequency:** 50/60 Hz
- **Power:** 20W/30W/50W Switchable
- **Beam Angle:** >100°
- **CCT:** RGB
- **Switch:** RGB Remote Control (included)
- **Protection against electric shock:** Class I. Requires earth connection.
- **Ingress Protection:** IP65
- **Slide-in bracket and additional round bracket for easy installation**
- **Material:** Die cast Aluminium body with tempered glass diffuser
- **Ambient temperature range:** -20°C to +40°C
- **Warranty:** 3 Years

### INSTALLATION INSTRUCTIONS:

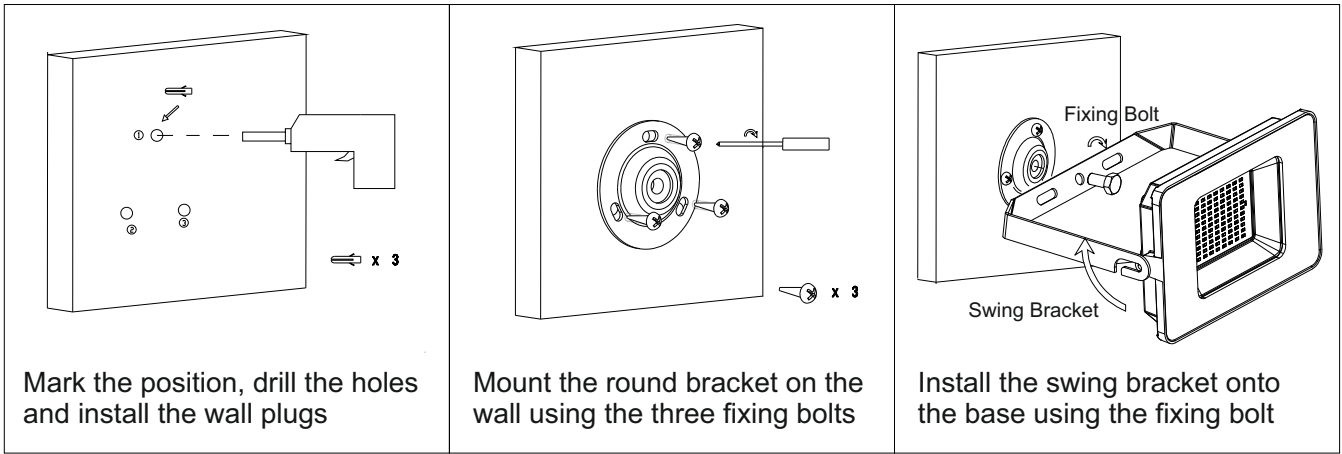
 Always switch off mains supply before servicing.

<p>1.</p>  <p>Turn off mains power.</p>	<p>2.</p>  <p>Mark the holes position and mount the bracket on the wall. Slide the floodlight into position.</p>	
<p>3.</p>  <p>Live (L) - Brown Neutral (N) - Blue Earth (E) -  Yellow/Green Input 220-240V/AC, 50/60HZ</p> <p>Terminate loose ends of wire to an appropriate IP Rated junction box or similar, ensuring polarities are observed.</p>	<p>4.</p>  <p>Use the screws provided to fix the floodlight into the bracket.</p>	<p>5.</p>  <p>Turn on mains power and test the floodlight.</p>

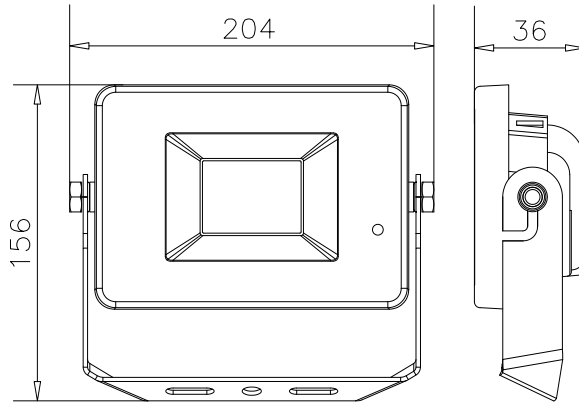
**WARNING:** Ensure all items and screws are secure and fitted correctly.

- This floodlight is not dimmable.
- Floodlights should not be connected in series.

## Installing the Additional Bracket:



## DIMENSIONS(mm):



## RGB Remote Control:

- Control Distance: up to 6m
- Mode: 4 modes adjustable
- Battery Type: CR2025

## Remote Control Setup:

- Pull plastic protection from battery compartment to activate the remote control.
- The floodlight is controlled by the IR remote control. Please ensure the remote control aims at the lamp when changing colours or modes.
- If the IR remote control becomes insensitive after a period of time or the control distance becomes much shorter please replace the battery

