



LED LITE™
Energy Saving LED

LTFL30PIR 30W LED Flood Light with PIR Sensor

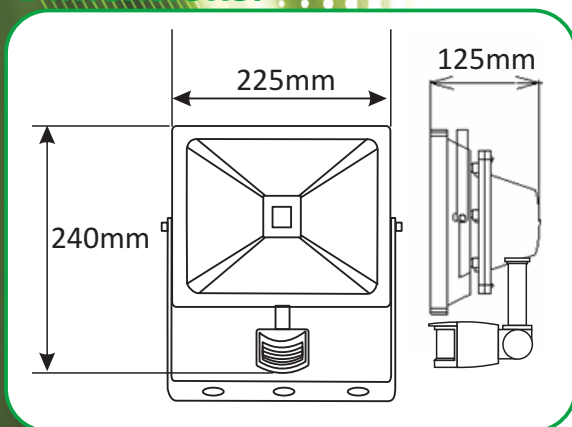
Maintenance Free Exterior / Interior Energy Saving LED Floodlight
70% / 80% running cost savings compared to incandescent lamps

Applications Include: Gardens, Bushes/Shrubs, Security Lighting,
Porch Lighting and Area Floodlighting, Site Lighting



- Voltage Range: 110v to 240v
- Nom. Watts: 30w
- Halogen Eqiv: 200w
- Beam Angle: 120°
- IP65 for floodlight body
- IP44 for PIR sensor
- PIR Time adjustment: 5 sec ~ 10 min
- PIR Lux (light level) adjustment: 0 ~ 1000 lux
- Optional mode settings: Dusk to Dawn.
- Permanent ON – when in Dusk to Dawn and maximum time setting.
- PIR with 110° detection angle
- Up to 12m detection range
- Long Life: 2 years guaranteed
- Shatter Resistant Tempered Glass
- Die Cast Aluminium Casing
- Not Dimmable
- Adjustable Bracket
- Complete with 1.5m cable
- Pulse override facility

Dimensions:



Available colours:

| Product Code | Description |
|--------------|--|
| FL30WW | LED Flood Light with PIR Sensor 30W Warm White |
| FL30CW | LED Flood Light with PIR Sensor 30W Cool White |

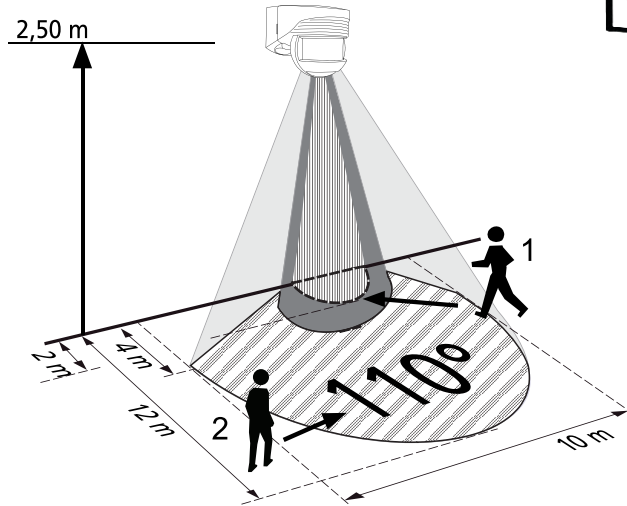
These high performance LED's are of outstanding performance and quality
and not to be confused with cheaper budget leds on sale!

LTFL30PIR - 30W LED Flood Light with PIR Sensor

LED LITE™
Energy Saving LED

Coverage range:

- 1 ■ Walking Towards
- 2 ▨ Walking across



Specifications:

| | |
|------------------------------|--|
| Power Requirement | 110V - 240V |
| Lighting Load | Max. 200W |
| Detection Angle | Up to 110° at 20°C |
| Detection Distance | Up to 12m at 20°C |
| Swiveling Angle | Lamp Part: Vertical 90°; Sensor Part: Horizontal 50°, Vertical 40° |
| Mounting Height | Recommended 1.8 ~ 2.5m (5.9 ~ 8.2 ft) Wall Mount |
| Time Adjustment | 5 sec ~ 10 min |
| Lux Adjustment | Approx. 0 ~ 1,000 Lux. |
| Operating Temperature | -20°C ~ +40°C |
| Protection Class | Class I |
| Floodlight Protection Rating | IP65 |
| PIR Protection Rating | IP44 |
| Wall Switch Control | Pulse Override |