

Flip Chip LED Highbay Light



LTHBF220



IP65 110-240V

Please read these instructions before commencing installation & retain them for future reference.

Important information

It is recommended that Flip Chip Highbay lights are installed by a qualified electrician ensuring the installation complies to current IEE wiring regulations & local building control.

- These products are designed for connection to a 110-240V mains supply.
- Any broken or damaged parts should be replaced as soon as possible.
- We will not accept responsibility for any claims arising from a poor installation.

Installation Procedure

1. Tight the lifting bolt on top of the driver box, then tighten screws to lock the lifting bolt (Fig.1)
2. Place the reflector so the screw holes correspond to the light body and tighten the body mounting screws (Fig.2)
3. Put the lifting bolt into the hook on the ceiling steadily (Fig.3)

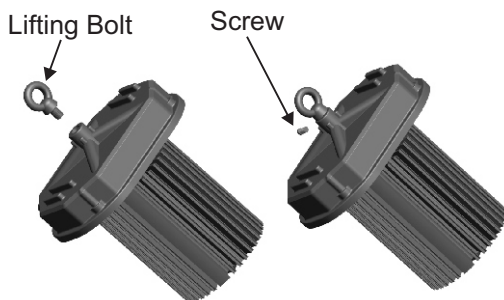


Fig.1

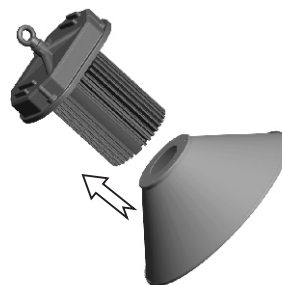


Fig.2

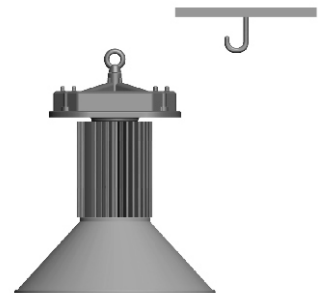


Fig.3

Installation Notice

- Always switch off mains supply before servicing.
- Ensure 110-240V supply voltage
- Close tight the wire and terminal to prevent leakage
- Take insulation measures when wiring the exposed cable
- Ensure correct wiring connection is made to input Live, Neutral and Earth wires
- Flip chip LED Highbay Lights are suitable for indoor use
- LEDLITE recommends electrical connection to an RCD/RCBO protected lighting circuit
- After all electrical connections are finalised switch on electrical supply
- Flip Chip LED Highbay Lights are not dimmable, never connect them to a dimmer switch.
- Flip Chip LED Highbay Lights shouldn't be connected in series configurations.

Dimensions(mm):

