

RTWPLED5

5ft 50W LED Non Corrosive
Weatherproof Fitting - IP65

IP65  220-240V

Please read these instructions and retain them for future reference.

Important information

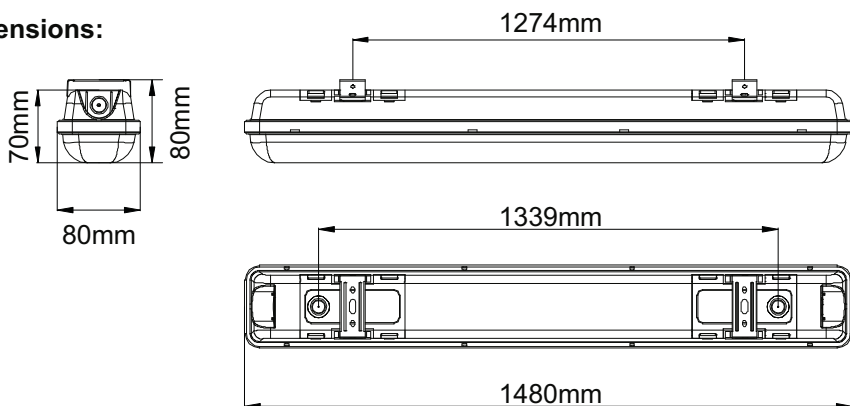
It is recommended that the fittings are installed by a qualified electrician ensuring the installation complies to current IEE wiring regulations & local building control.

- These products are designed for connection to a 220-240V mains supply.
- We cannot accept responsibility for any claims arising from a poor installation.

Important User Advice

- Always switch off mains supply before installation.
- The fitting is suitable for indoor and outdoor use.
- The installation must not infringe on water pipes or any other electrical services.
- The light fitting is Class I and it requires an earth connection.

Dimensions:




Specifications:

- Voltage Range: 220-240V
- Nom. Watts: 50W
- Lumen Output: 4500lm
- Colour Temp.: 5000K
- IP Rating: IP65
- Warranty: 3 Years
- ABS Base
- Stainless Steel Clips
- Not Dimmable

Package Includes:

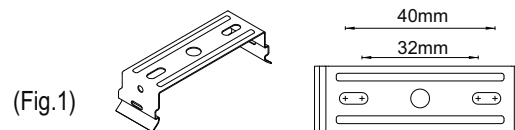
- Snap-in Metal clips x 2pcs.
- Plastic Wall Plugs x 4pcs.
- Screws x 4pcs.
- Metal cables x 2pcs. (for hanging installation)
- Waterproof cable gland x 1pcs.



Installation:  **Warning!** Switch off the power source before installation & maintenance

Step 1: Identify the location and direction of any hidden supply cables or service pipes before drilling fixing holes.

Step 2: Mark and drill mounting holes for the snap-in ceiling clips (or hanging cable for hanging installation) at the correct spacing - see minimum/maximum spacing (Fig.1).



Step 3: Fix the clips or the hanging cable securely to the ceiling (A)

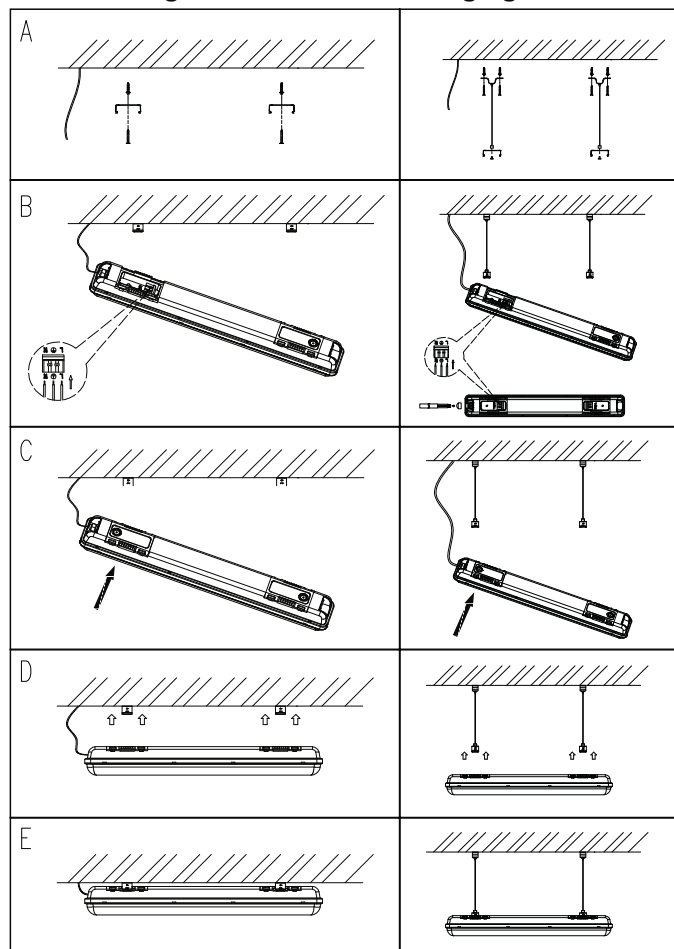
Step 4: Using a screw loosen and open the cover for the connection block and wire the main input to the terminal block of the light fitting (B). For detailed wiring instructions see Fig. 2.

Step 5: Close the connection box cover (C) and mount the light fitting onto the metal clips ensuring that it is secured into place (D)

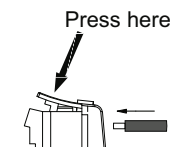
Step 6: Power up the fitting to check that it functions correctly (E)

Ceiling Installation

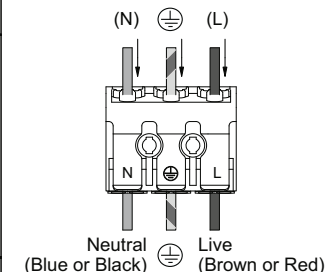
Hanging Installation



(Fig.2) Wiring Instructions



POWER SUPPLY



LIGHT FITTING

 **This is a sealed fitting and must not be opened!**