

# LED LITE™

## Energy Saving LED

### 32W LED Super Slim Backlit Panel Light CCT Changeable LTSP32CCT

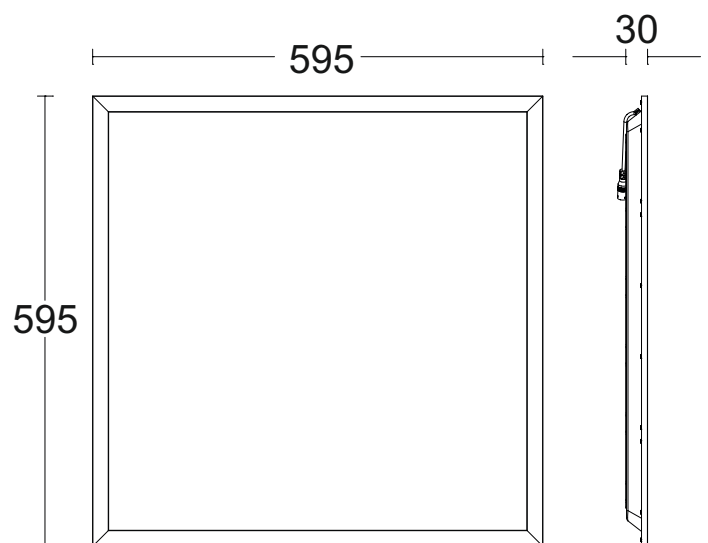
LED super slim backlit panel light illuminates homogeneously over their surface, producing glare-free bright light. With our LTSP32CCT you will have the option to change the colour temperature of the panel from a switch. Easy to install and maintain. Ideal for commercial applications such as office buildings, supermarkets, shopping malls, conference halls and hotels.

#### Specifications:

- **Dimensions:** 595 x 595 x 30 mm
- **Wattage:** 32W
- **Voltage:** 220-240 V/AC
- **Lumen Output:** 4000lm
- **CCT Changeable:** 3000K/4000K/6000K
- **LED:** 2835SMD (PMMA lens)
- **Driver:** CCT Changeable Flicker-Free (included)
- **Beam Angle:** 120°
- **Power Factor:** >0.95
- **CRI (Ra):** >80
- **IP Rating:** IP20
- **Working Temp.:** -20°C ~ +45°C
- **Storage Temp.:** -25°C ~ +65°C
- **Warranty:** 3 years
- **Ideal replacement** for 600 x 600mm modular fluorescent fittings



#### Dimensions:



#### Surface mounted frame available:



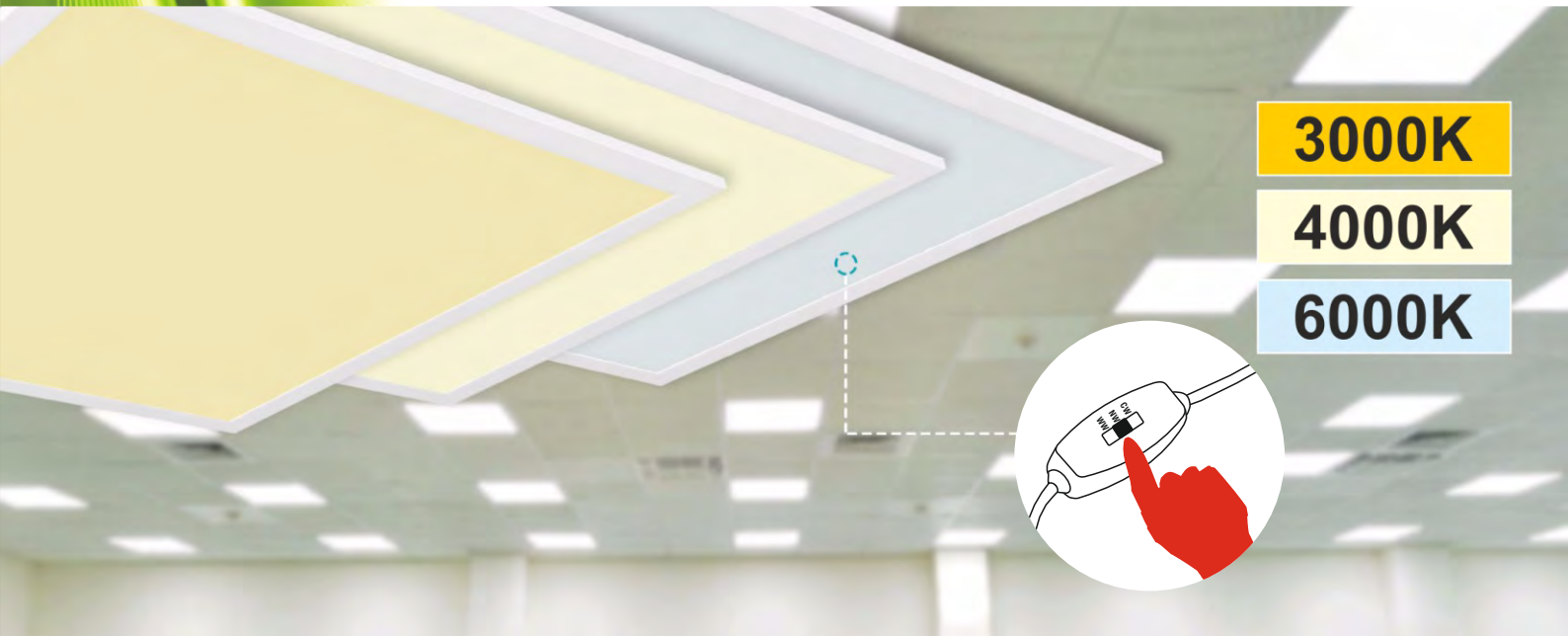
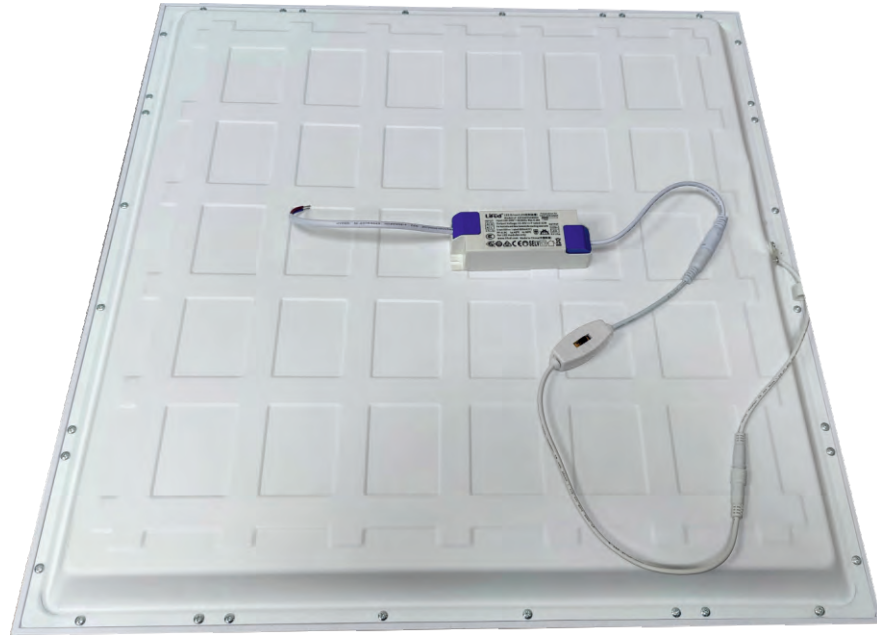
- Surface mounted frame for super slim backlit panel lights, with 1 magnetic side for east installation, Used to fix the panel light in the ceiling or on the wall.

#### CCT Changeable:

- **Warm White - 3000K**
- **Neutral White - 4000K**
- **Daylight - 6000K**

### 3 CCT Changeable Function

The panel light CCT adjustment is made from the switch present on the panel light cable. To change the colour temperature move the switch in the desired CCT position (Fig.2). Switch off power supply while changing the colour temperature In order to avoid any damage to the panel light or the driver.



3000K

4000K

6000K

CCT ADJUSTABLE

3000K 4000K 6000K

