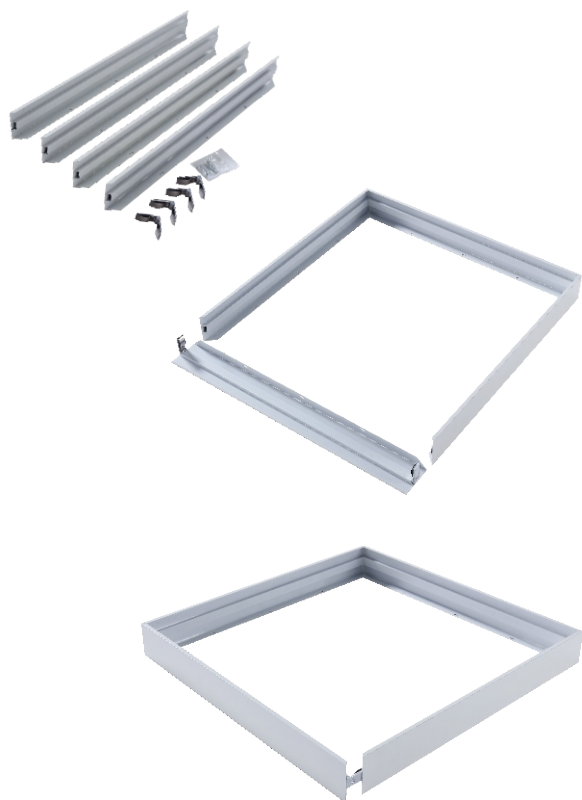


## LTSPSSF3

## Surface Mount Frame for Panel Light

The LTSPSSF Surface Mount Frame is designed for use with 600 x 600mm Ledlite Slim Panel Lights and Backlit panel lights. Providing a practical solution for installations where recessed mounting is not possible. With a slim 70 mm profile, it offers a clean, low-profile finish ideal for modern commercial and residential environments. Constructed from robust aluminium with a smooth white powder-coated finish the frame ensures durability and seamless integration with ceiling aesthetics. It allows for easy installation of panel lights without requiring ceiling void access.

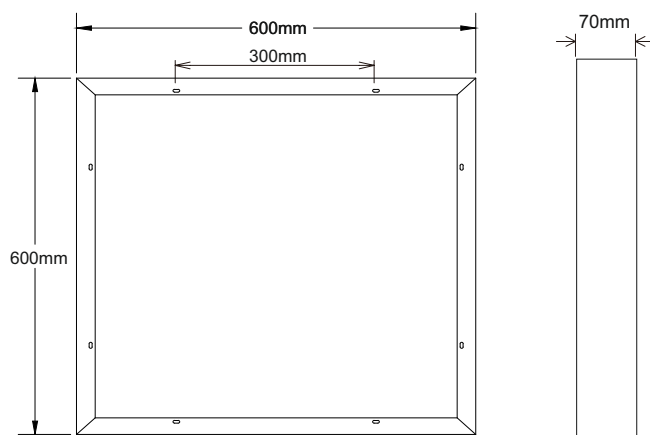
Applications: Offices and meeting rooms, retail spaces, residential spaces with solid ceilings, schools etc.



### Features & Benefits:

- 70 mm depth
- Ideal for ceilings without accessible void or grid
- Aluminium construction for strength and stability
- Push-in corners for simple assembly

### Dimensions:



### Technical Specifications:

<b>Product Type:</b>	Surface mounted frame
<b>Compatible panel size:</b>	600x600mm
<b>Depth:</b>	70mm
<b>Material:</b>	Aluminium
<b>Finish:</b>	White
<b>Mounting Type:</b>	Surface ceiling-mounted
<b>Compatible Panel Lights:</b>	LTSP32CCT / LTSP25 / LTSP40