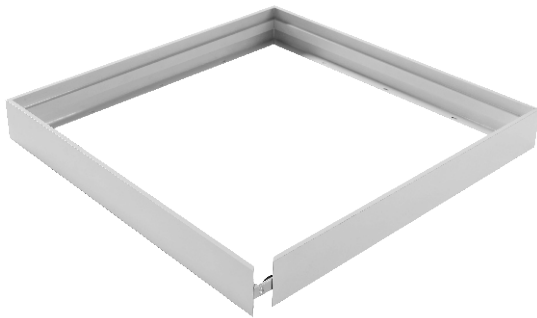


LTSPSSF

Surface Mount Frame for Panel Light

The LTSPSSF Surface Mount Frame is designed for use with 600 x 600mm Ledlite Slim Panel Lights and Backlit panel lights. Providing a practical solution for installations where recessed mounting is not possible. With a slim 50 mm profile, it offers a clean, low-profile finish ideal for modern commercial and residential environments. Constructed from robust aluminium with a smooth white powder-coated finish the frame ensures durability and seamless integration with ceiling aesthetics. It allows for easy installation of panel lights without requiring ceiling void access.

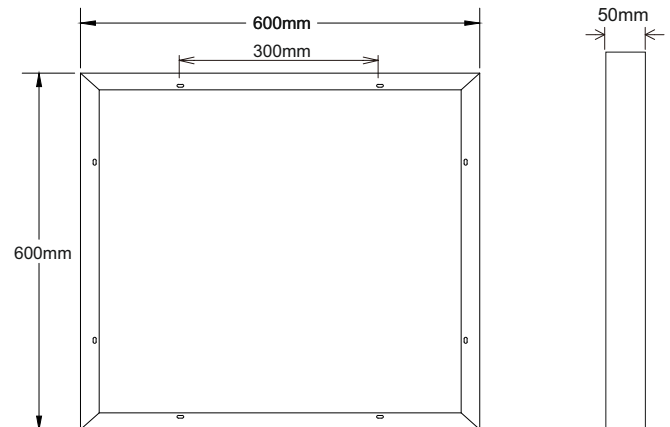
Applications: Offices and meeting rooms, retail spaces, residential spaces with solid ceilings, schools etc.



Features & Benefits:

- 50 mm depth – slim and contemporary appearance
- Ideal for ceilings without accessible void or grid
- Aluminium construction for strength and stability
- Push-in corners for simple assembly

Dimensions:



Technical Specifications:

Product Type:	Surface mounted frame
Compatible panel size:	600x600mm
Depth:	50mm
Material:	Aluminium
Finish:	White
Mounting Type:	Surface ceiling-mounted
Compatible Panel Lights:	LTSP32CCT / LTSP25 / LTSP40