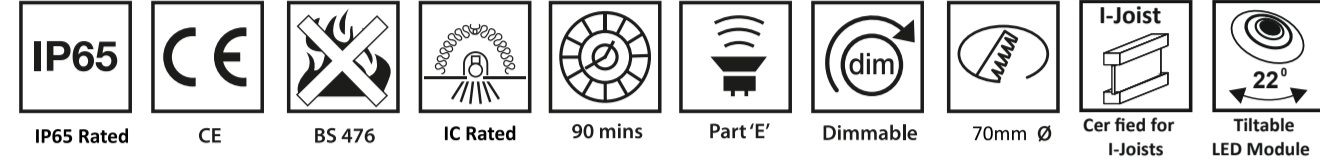


LEDLITE™ User Instructions

LTFD

10W Smart WiFi & Bluetooth
CCT Changeable
LED Fire Rated Downlight c/w Plaster Bezel*



*for use with LTFD or LTFD drivers (not included)

General Instructions

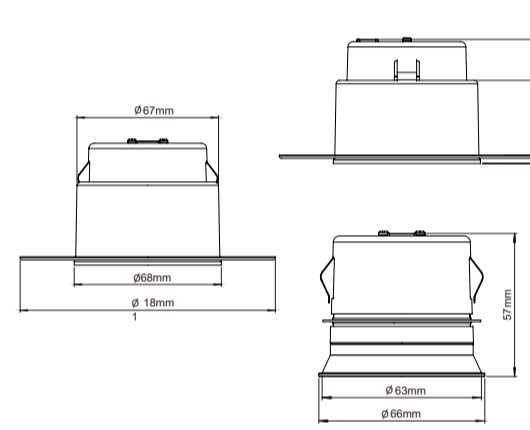
These instructions should be read carefully and retained after reference installation for further and maintenance.

Important information

It is recommended that luminaires are installed by a qualified electrician ensuring the installation complies with current IEE wiring regulations & local building control.

- Before installation or maintenance ensure that the mains supply to the luminaire is switched off and the circuit supply fuses are removed or circuit breaker turned off.
- Check that the total load on the circuit, including when this luminaire is fitted, does not exceed the rating of the circuit cable, fuse or circuit breaker.
- We will not accept responsibility for any claims arising from a poor installation.
- Suitable for bathroom and shower room use.

Dimensions:

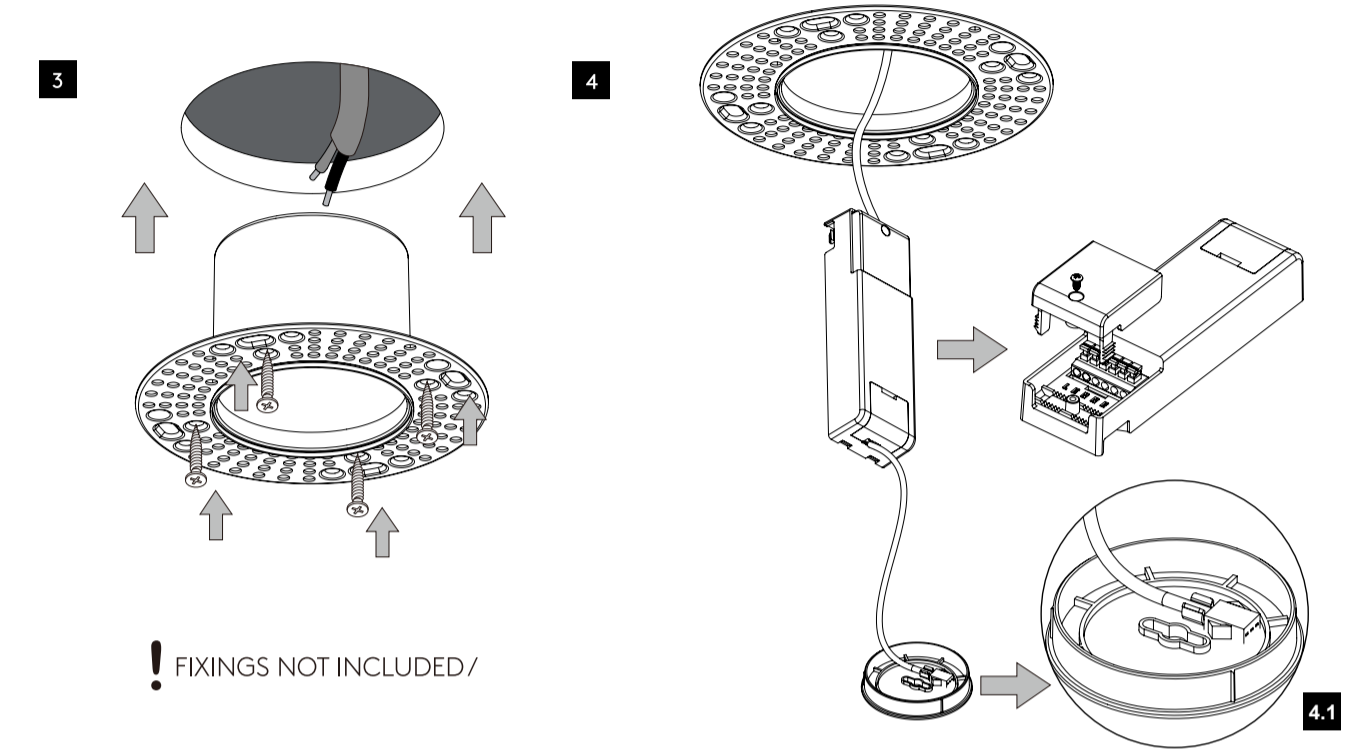
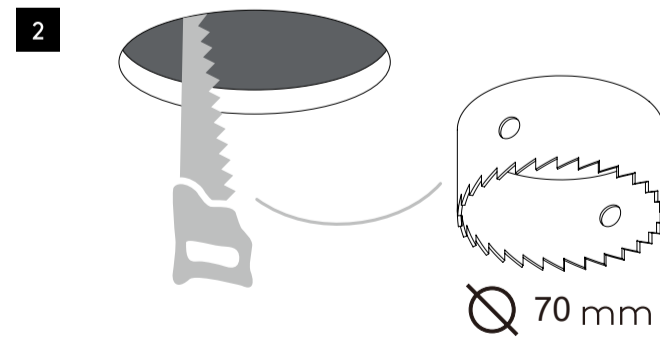
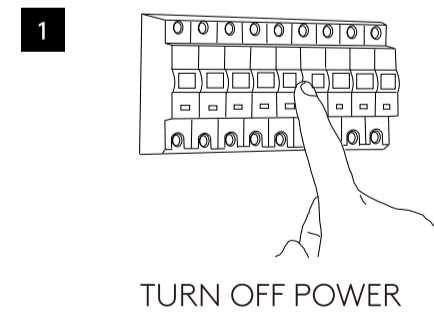


Specifications:

- LED Voltage Range: 33-39V/DC
 - LED Current: 230mA
 - Wattage: 10W
 - Beam Angle: 40°
 - CCT Changeable (3000K/4000K/6000K)
 - White & Black Reflector Included
 - Lumens: White Reflector Black Reflector
 - Solid Joist & I-Joist Fire Rated
 - Insulation Coverable
 - Plaster Bezel & Cover Included
 - Tiltable
 - Angle: 22 max.
 - Cut-out 70mm
 - Housing Materials: Aluminium + Iron
 - Warranty: 5 Years
 - IP65 Rated
- | | | |
|-------|--------|--------|
| 3000K | 1120lm | 1010lm |
| 4000K | 1180lm | 1080lm |
| 6000K | 1130lm | 1030lm |

Installation:

- Turn the power off before commencing installation (see Fig.1).
- Cut a suitable hole in the ceiling as per the cut-out details ensuring that it does not infringe with electrical cables, water/gas pipes or ceiling joists. (see Fig.2).
- The downlight is IC Rated and designed for use with insulated material, it does not need extra IC cage accessories.
- Fix the trim-less bracket into the ceiling by screws.(see Fig.3).
- Connect the driver to the downlight (see Fig.4).
- Fix the DC cable from the driver to the plastic pad of the painting cover.(see Fig.4.1).
- Mount the plastic housing cover before skimming, to avoid plaster getting inside.(see Fig.5).
- Before the plaster is dry, remove the plastic cover protection using the plastic key provided.(see Fig.6).
- Install the required reflector - white and black reflectors included.(see Fig.7).
- Connect the DC cable from the driver to the DC cable from the LED module and make sure they are fully connected. Insert the LED module into the trim-less bracket.(see Fig.8).
- Test for correct operation.
- If you need to remove the downlight use a rubber suction cup & pull down (suction cup not included).



! FIXINGS NOT INCLUDED /

