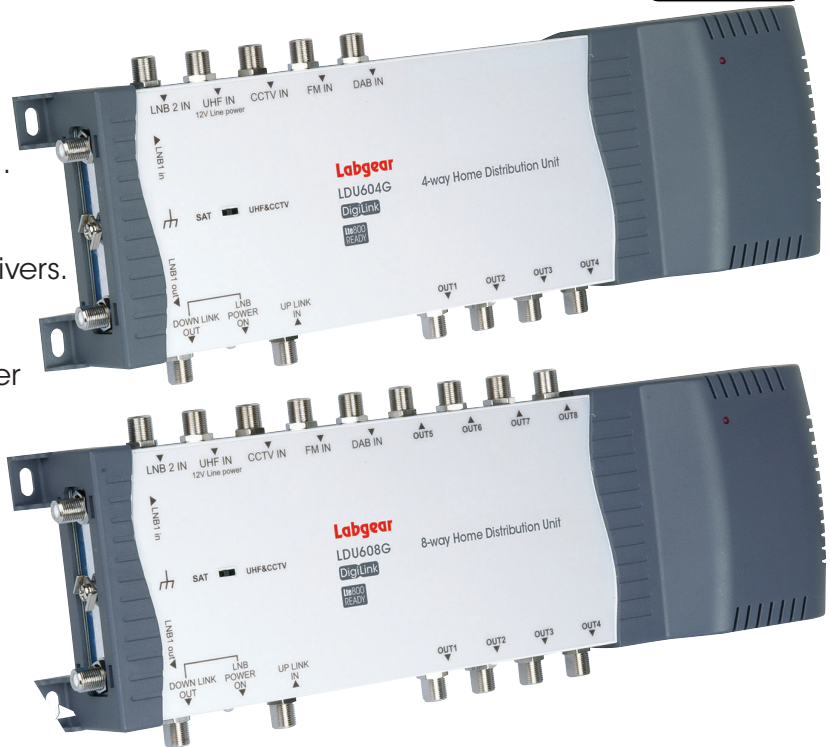


These fully screened general-purpose 4, and 8 way amplifiers are ideal for distributing TV, FM, DAB radio, satellite and CCTV signals. There are separate inputs for each of these signal sources. All outputs have a return path, are IR enabled and compatible with Digilinks*.

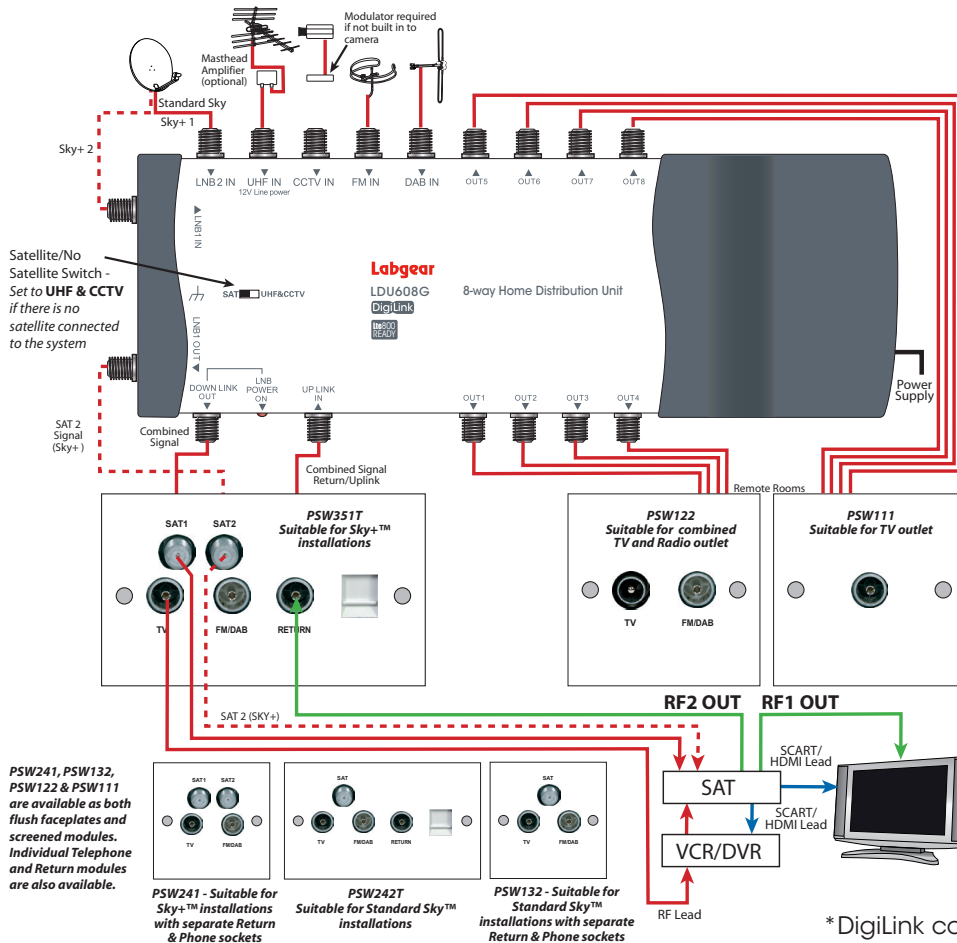
These units also have LNB 1 and LNB 2 inputs suitable for use with Sky+™ and Sky+HD™ receivers.

The LDU604G and LDU608G have a switch which should be set to 'SAT' if a satellite receiver is included in the system, or switched to 'UHF & CCTV' if only using the UHF/CCTV inputs (this links the downlink and uplink).

The UHF and CCTV inputs are filtered to remove any signals from Lte 800 4G mobile phone transmitters picked up by the attached UHF antenna or CCTV system.



LDU608G Labgear TV Distribution System



Specifications

Model	LDU604G	LDU608G
Number of Inputs	6	6
Number of Outputs	4	8
Gain to outputs	±6dB	±6dB
Noise figure	4dB	4dB
Gain/Loss to Downlink:		
FM 88-108MHz	-4dB	-5dB
DAB 217-230MHz	-6dB	-6dB
UHF 470-790MHz	-2~+6dB	-2~+6dB
CCTV 470-790MHz	-2~+6dB	-2~+6dB
SAT 1 950-2300MHz	-2dB	-2dB
SAT 2 950-2300MHz	-3dB	-3dB
LNB rejection in UHF	35dB	25dB
Uplink Gain 470-790MH	8dB	8dB
Return Path	3-10MHz	3-10MHz
Return Path Gain	-2dB	-2dB
All port IR enabled	9V/15mA	
LNB Line Power	20V/400mA	
UHF Line Power	12V/40mA	
f- connectors	IEC 60169-24	
Power requirements	230VAC~50Hz 250mA typical	

* DigiLink compatibility only applies to RF2 enabled Sky receivers additional equipment such as the LABLINK or LABLINK+ will be required for receivers with no RF output.