

## Hi-Spot ES50 Superia

ES50 SU 240V 35W 25° GU10 SV1

0022901



### Range features

- Unique long life filament
- Xenon gas filling for increased light output
- Unique, patented, spiral faceted aluminised reflector
- For accent or decorative lighting in retail, commercial and domestic applications
- Ceramic base, brass contacts for a robust fitting
- For use in mains voltage GU10/GZ10 downlights, spotlights and luminaires
- Transformer free halogen
- 100% dimmable
- Integral Safety fuse
- Average rated life 3000 hrs



### PRODUCT OVERVIEW

Ordering number	0022901
Light colour	826 Homelight
Technology	Halogen
Energy class	D
Average life (Rated) (h)	3000
Lamp finish	Aluminium
Lamp shape	Reflector
Dimmable	Yes
Cap/Base	GU10
Type	PAR16 (GU10)
EAN code	5410288229010
CRI (Ra)	100
Beam angle(°)	25
Colour temperature (K)	2600
Useful luminous flux (Rated) (lm)	180
Watt (Nominal) (W)	35
Voltage (V)	240

## Hi-Spot ES50 Superia

ES50 SU 240V 35W 25° GU10 SV1

0022901

### DATA TABLE

#### General data

<b>Ordering number</b>	0022901
<b>Technology</b>	Halogen
<b>Average life (Rated) (h)</b>	3000
<b>Average life (Nominal) (h)</b>	3000
<b>Energy class</b>	D
<b>Energy saving lamp</b>	No
<b>Lamp shape</b>	Reflector
<b>Lamp finish</b>	Aluminium
<b>Dimmable</b>	Yes
<b>Cap/Base</b>	GU10
<b>Type</b>	PAR16 (GU10)
<b>EAN code</b>	5410288229010
<b>E-number FI</b>	4749531
<b>E-number SE</b>	8355945
<b>Long description</b>	Unique long life filament. Xenon gas filling for increased light output. Unique, patented, spiral faceted aluminised reflector. For accent or decorative lighting in retail, commercial and domestic applications. Ceramic base, brass contacts for a robust fitting. For use in mains voltage GU10/GZ10 downlights, spotlights and luminaires. Transformer free halogen. 100% dimmable. Integral Safety fuse. Average rated life 3000 hrs
<b>Product name</b>	ES50 SU 240V 35W 25° GU10 SV1
<b>Lamp mercury content (mg)</b>	0
<b>Starting time (max) (s)</b>	0
<b>Warm-up time to 60% of full light (max) (s)</b>	Instant Full Light
<b>Control gear required</b>	No
<b>Fixture rating</b>	Open
<b>IEC Reference</b>	IEC 60357
<b>IEC Reference 2</b>	IEC 60432-3
<b>IEC Reference 3</b>	IEC 60630
<b>Intended purpose</b>	General lighting
<b>No. of switching cycles before premature failure (min)</b>	> 12000
<b>Special purpose lamp</b>	No
<b>Transformer required</b>	no
<b>Sales pack quantity</b>	10

## Hi-Spot ES50 Superia

ES50 SU 240V 35W 25° GU10 SV1

0022901

### Optical data

Light colour	826 Homelight
CRI (Ra)	100
Beam angle (Rated) (°)	25
Suitable for accent lighting	Yes
Beam angle(°)	25
Colour temperature (K)	2600
Useful luminous flux (Rated) (lm)	180
Lumen maintenance at end of nominal life (%)	80
Luminous flux (Nominal) (lm)	180
Peak intensity (cd)	800

### Electrical data

kWh per 1000 hours burning time	35
Watt (Rated) (W)	35
Watt (Nominal) (W)	35
Voltage (V)	240
Lamp power factor	1

### Physical data

Weight (kg)	0.05
Lamp Length (mm) - C/L	55
Max. Lamp Diameter (mm) - D	50
Lamp dimension equal to filament lamp equivalent	Yes
Designed for optimum use in non standard conditions	No
Single packaging type	Box/Sleeve
Single package dimensions (L x W x H) (cm)	6.20 x 4.80 x 4.80
Outer package dimensions (L x W x H) (cm)	50.00 x 27.00 x 14.00

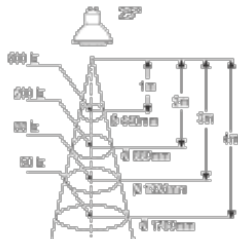
## Hi-Spot ES50 Superia

ES50 SU 240V 35W 25° GU10 SV1

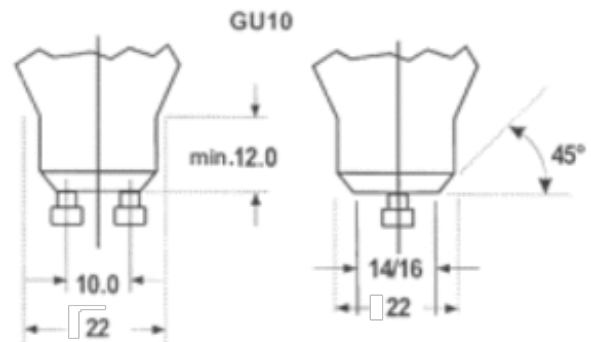
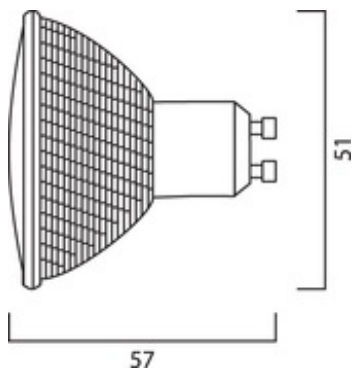
0022901

### PHOTOMETRY

Hi-Spot ES50 - 35W/25°



### TECHNICAL DRAWINGS



### ENERGY LABEL

