

Product selected: HI-SPOT ES 50 SUPERIA 25W/FL25°

Another, highly successful, innovation from Sylvania, Hi-Spot® ES50 Superia mains voltage halogen lamps with GU10 cap, can be used in many applications and offer new, cost effective possibilities for fixture designs and lighting solutions. ES50 Superia has the same diameter as a 12V MR16 lamp but, due to its revolutionary design, operates straight from the mains without the need for a transformer.

Applications

- For use in mains voltage GU10 / GZ10 downlights, spotlights and luminaires
- For precision or decorative lighting in retail, commercial and domestic applications
- Suitable for outdoor use when protected from direct contact with water

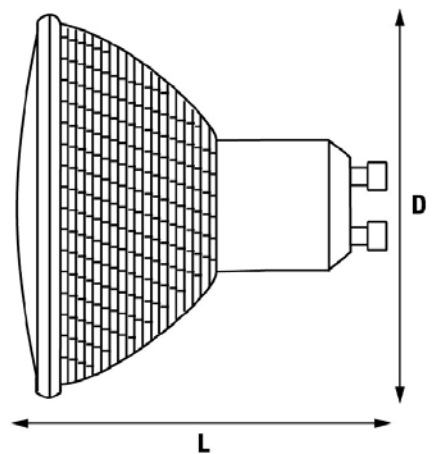
Features

- Xenon Gas Filling and long filament give crisp white light and 4000 hour life
- Installing and changing lamps has never been easier thanks to the "turn and lock" GU10 and GZ10 caps
- Unique, patented, computer designed spiral faceted aluminised reflector
- Wattages 35W and 50W
- Beam angles 25° and 50°
- Can be dimmed using standard dimmer switches
- The use of UV-Stop materials dramatically reduces UV emissions
- Average rated life: 4000 hours

Product Image



Line Drawing



Lamp Cap

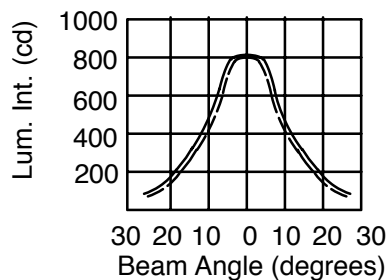
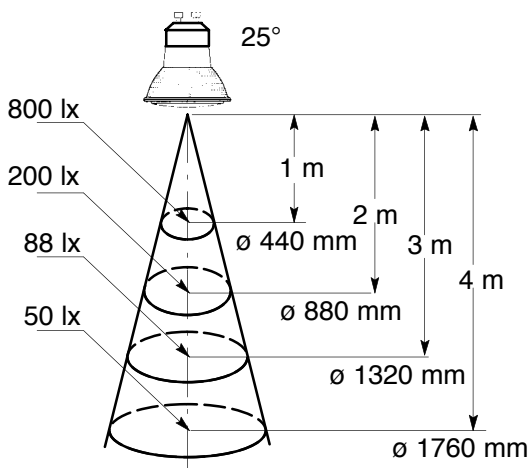
Product Attributes

Item description	HI-SPOT 50 35W/FL25°
Ordering Code	0022901
EAN code	-
Packing Quantity	10
Wattage (W)	25
Voltage (V)	240
Cap	GU10
Max. Over. Length (mm)	55
Diameter (mm)	51
Colour Temp (K)	2700
Beam angle(°)	25
Peak intensity (CD)	800
Average life (hours)	4000

UV Stop



Illuminance Diagram



FLOOD