

## Hi-Spot 50

HS50 240V 40W 25° E14 SV1

0021084



### Range features

- Retrofit solution for E14 incandescent R50 lamps
- Halogen light without the need for a transformer
- Unique, patented spiral reflector design for uniform beam pattern
- 100% dimmable
- For use in mains voltage E14 cap downlights, spotlights and luminaires
- Average rated life 2000 hrs



### PRODUCT OVERVIEW

Ordering number	0021084
Light colour	827 Homelight
Technology	Halogen
Energy class	D
Average life (Rated) (h)	2000
Lamp finish	Aluminium
Lamp shape	Reflector
Dimmable	Yes
Cap/Base	E14
Type	PAR 16
EAN code	5410288210841
CRI (Ra)	100
Beam angle(°)	25
Colour temperature (K)	2700
Useful luminous flux (Rated) (lm)	265
Watt (Nominal) (W)	40
Voltage (V)	240

## Hi-Spot 50

HS50 240V 40W 25° E14 SV1

0021084

### DATA TABLE

#### General data

<b>Ordering number</b>	0021084
<b>Technology</b>	Halogen
<b>Average life (Rated) (h)</b>	2000
<b>Average life (Nominal) (h)</b>	2000
<b>Energy class</b>	D
<b>Energy saving lamp</b>	No
<b>Lamp shape</b>	Reflector
<b>Lamp finish</b>	Aluminium
<b>Dimmable</b>	Yes
<b>Cap/Base</b>	E14
<b>Type</b>	PAR 16
<b>EAN code</b>	5410288210841
<b>E-number FI</b>	4749302
<b>E-number SE</b>	8355900
<b>Long description</b>	Retrofit solution for E14 incandescent R50 lamps. Halogen light without the need for a transformer. Unique, patented spiral reflector design for uniform beam pattern. 100% dimmable. For use in mains voltage E14 cap downlights, spotlights and luminaires. Average rated life 2000 hrs
<b>Product name</b>	HS50 240V 40W 25° E14 SV1
<b>Lamp mercury content (mg)</b>	0
<b>Starting time (max) (s)</b>	0
<b>Warm-up time to 60% of full light (max) (s)</b>	Instant Full Light
<b>Control gear required</b>	No
<b>Fixture rating</b>	Open
<b>IEC Reference</b>	IEC 60357
<b>IEC Reference 2</b>	IEC 60432-3
<b>IEC Reference 3</b>	IEC 60630
<b>Intended purpose</b>	General lighting
<b>No. of switching cycles before premature failure (min)</b>	> 8000
<b>Special purpose lamp</b>	No
<b>Transformer required</b>	No
<b>Sales pack quantity</b>	15

## Hi-Spot 50

HS50 240V 40W 25° E14 SV1

0021084

## Optical data

Light colour	827 Homelight
CRI (Ra)	100
Beam angle (Rated) (°)	25
Suitable for accent lighting	Yes
Beam angle(°)	25
Colour temperature (K)	2700
Useful luminous flux (Rated) (lm)	265
Lumen maintenance at end of nominal life (%)	80
Luminous flux (Nominal) (lm)	265
Peak intensity (cd)	950

## Electrical data

kWh per 1000 hours burning time	40
Watt (Rated) (W)	40
Watt (Nominal) (W)	40
Voltage (V)	240
Current (A)	0.17
Lamp power factor	1

## Physical data

Weight (kg)	0.06
Lamp Length (mm) - C/L	77
Max. Lamp Diameter (mm) - D	50
Lamp dimension equal to filament lamp equivalent	Yes
Designed for optimum use in non standard conditions	No
Single packaging type	Box/Sleeve
Single package dimensions (L x W x H) (cm)	4.80 x 4.80 x 8.00
Outer package dimensions (L x W x H) (cm)	28.00 x 17.00 x 9.50

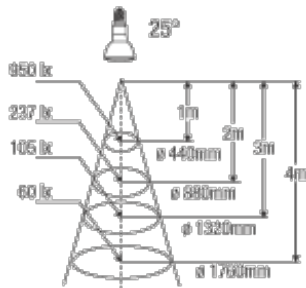
## Hi-Spot 50

HS50 240V 40W 25° E14 SV1

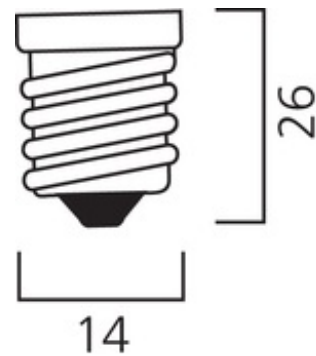
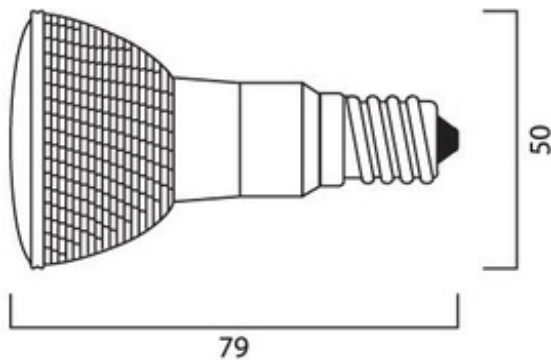
0021084

### PHOTOMETRY

#### Hi-Spot 50 / 40W



### TECHNICAL DRAWINGS



### ENERGY LABEL

