

Product selected: HI-SPOT ES 50 35W/FL25°

Another, highly successful, innovation from Sylvania, Hi-Spot® ES50 mains voltage halogen lamps with GU10 cap, can be used in many applications and offer new, cost effective possibilities for fixture designs and lighting solutions. ES50 has the same diameter as a 12V MR16 lamp but, due to its revolutionary design, operates straight from the mains without the need for a transformer or special wiring.

Applications

- For use in mains voltage GU10 / GZ10 downlights, spotlights and luminaires
- For precision or decorative lighting in retail, commercial and domestic applications
- Suitable for outdoor use when protected from direct contact with water

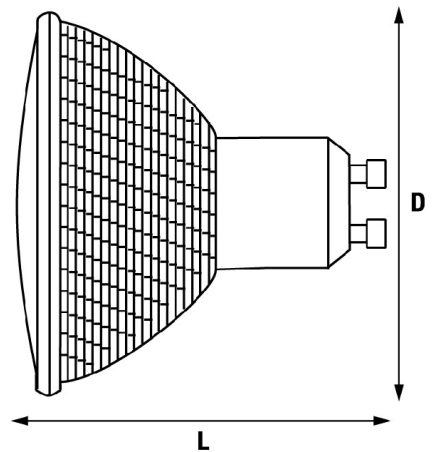
Features

- Halogen light without the need for a transformer
- Installing and changing lamps has never been easier thanks to the "turn and lock" GU10 and GZ10 caps
- Unique, patented, computer designed spiral faceted aluminised reflector
- Wattages 35W and 50W
- Beam angles 25° and 50°
- Can be dimmed using standard dimmer switches
- The use of UV-Stop materials dramatically reduces UV emissions
- Average rated life: 2500 hours

Product Image



Line Drawing



Product Attributes

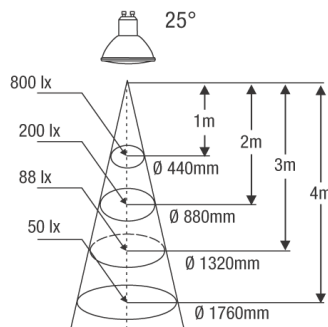
Item description	HI-SPOT ES 50 35W/FL25°
Ordering Code	0021102
EAN code	5410288211022
Packing Quantity	15
Wattage (W)	35
Voltage (V)	240
Cap	GU10
Max. Over. Length (mm)	57
Diameter (mm)	51
Average life (hours)	2500
Colour Temp (K)	2700
Beam angle(°)	25
Peak intensity (CD)	800

UV Stop

UV STOP

Illuminance Diagram

Hi-Spot ES50 - 35W/25°



Lamp Cap

