

IR8M/IRPI8M



The IR8M is the new universal wireless infrared sensor from Honeywell. This PIR has all the benefits of our existing range of Infrared sensors and wireless peripherals.

Features of the IR8M include, compliance to TS EN50131-2-2 Grade 2, Class II, providing exceptional detection capabilities.

The IRPI8M includes selectable immunity for animals weighing up to 36Kg.

Features:

- Compatible with Domonial, Le Sucre™, Galaxy and Vista radio modules, the IR8M/IRPI8M reduces the number of PIRs you need to have in stock.
- The two different lenses supplied with the IRPI8M (Pet immune and high security) combined with four levels of sensitivity which can be adjusted by a switch, make it perfect for a wide range of installations.
- The IR8M/IRPI8M sensor mounts virtually anywhere – on walls, in corners or on ceilings

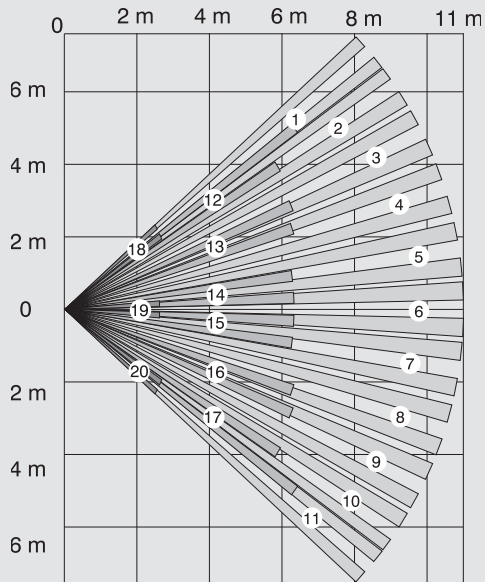
IR8M / IRPI8M

Specifications:

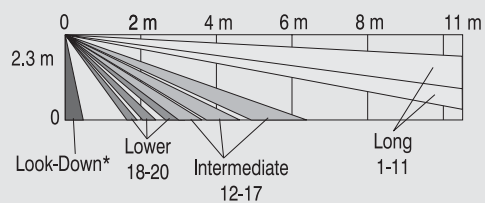
Specification	
Detection range	11 x 12 m (at 2,30m mounting height) Look-down pattern for Hi-Security applications
Pet Immunity (IRPI8M only)	Switch selectable pet immunity 0, 18 or 36 Kg
Tamper Switch	Front cover and back
Lenses	Pet Immune lens (IRPI8M only) Optional Hi-Security lens (provided)
White light immunity	>6500 lux
Sensitivity & Pulse count	Switch selectable – Lowest, Low, Medium, High
LED	Switch enabled Indicates detection and transmission (different timing)
Operating temperature	-10°C to 55°C
Relative humidity	5% to 95%, non-condensing
Storage temperature	-20°C to 70°C
Temperature compensation	Advanced Dual Slope Temperature Compensation
Test mode	Started at tamper opening and closure 10mn duration
Dimensions	11, 2 x 6 x 4 cm
Weight without battery	84g
Includes	Lens masking (PI and Hi-security) Look-down mask for pet immune applications (neoprene rubber) High Security lens Battery
Battery	One 3V CR123 lithium
Battery life	> 4, 5 years (> 3 years on Galaxy or Vista radio modules)
Radio	Dual-protocols: V2 GY and Alpha FM narrow band 868 MHz frequency 2000m range in open field Supervision
Compatibility	Galaxy Radio module: RF-Portal (C079-2) Vista Radio module : 5882EUHS Domonial Le Sucre™
Approvals	EN50131-1 and TS50131-2-2 Security Grade 2, Environmental Class II (with high-security lens mounted)

Detection patterns:

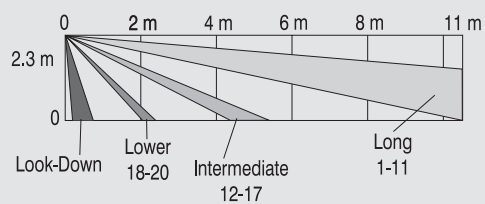
View from above:



Side View (IRPI8M)



Side View (IR8M)



* Note: Enabling the look-down beams is not recommended in pet immune applications

Accessories:

SMB10

Universal White Swivel Mount Bracket (5 pack)

SMB10C

Universal White Ceiling Mount Bracket (5 pack)

Honeywell Security Group

Newhouse Industrial Estate,
Motherwell
Lanarkshire
ML1 5SB
UK
Tel +44 (0)1698 738200
www.honeywell.com

HSC-IR8M-01-EN(0215)DS-Z
February 2015
© 2015 Honeywell International Inc.