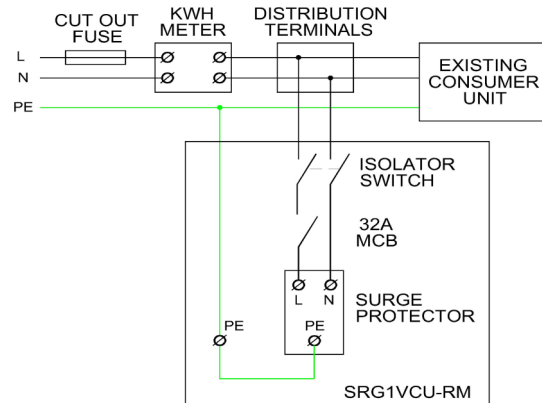


Retrofit Type 2 Single Phase Surge Protection Device for residential installations



SRG1VCU-RM is a single phase type 2 surge arrester assembly, for use on TN-C-S (PME) / TN-S / & TT networks.

It is designed for retro-fitting application, to provide protection of electrical appliances against impulse surges, where it is not possible to accommodate a suitable surge arrester directly within the existing consumer unit.

This product can be installed at the origin of a residential installation, only where there is little or no risk from direct lightning strike

(as determined by the risk assessment calculation within BS7671:2018 443.5).

It is primarily suited to installations located in an urban area, without an external lightning protection system, and fed from an underground power source.

It is not suitable for buildings fed directly from overhead power lines.

Important:

The unit must be parallel connected to the existing consumer unit

(see diagram). No modification within the existing consumer unit is necessary.

Technical Data

Technical Data	
Reference standard	IEC/ EN61643-11
Test class according to EN61643-11	Type 2
Nominal Voltage (Un)	230-240V ac
Max continuous operating voltage (Uc)	275V ac
Nominal discharge current (In) (8/20 μ S)	5kA (L/N, L/PE) 20kA (N/PE)
Voltage protection level at Uoc (Up)	<1.5kV (L/N) <1.5kV (L/PE) <1.5kV (N/PE)
Temporary overvoltage (TOV)	335V/5S (L/N) 1200V+Uo/ 0.2S (L/PE)
Response time	<25nS (L/N) <100nS (L/PE, N/PE)
Min-Max conductor size	6-25mm ²
Cable connecting length (maximum)	500mm total or less
Terminal tightening torque: Surge protector	1.2-1.5Nm L/N 2.0-2.5Nm PE
Terminal tightening torque: Main switch & MCB	2.5Nm
Ingress protection rating	IP20
Overall dimensions (mm)	250H x 135W x 88D
Upstream cut out fuse rating	50-100A