

Installation Sheet

Low Voltage luminaires for Bathroom areas.



12V 20W Max.

Read these instructions before commencing installation & retain them for future reference.

This luminaire has been designed to be connected to a low voltage supply. Always make sure LV connections are connected neatly and secure.

Fitting Instructions

It is recommended that luminaires are installed and fitted by a qualified electrician. The installation of this product must comply with the current edition of the IEE wiring regulations BS7671. For luminaires to be installed in bathrooms, saunas or swimming pool complexes special attention should be paid to section 601, 602 & 603 of the above standard.

Important User Advice

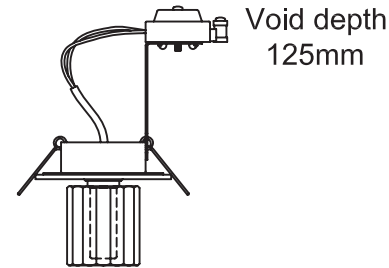
Always switch off mains supply before servicing, fitting or changing lamp. Check the lamp is correct for the application, including its voltage and wattage. Ensure that the lamp is correctly located in the lampholder. Switch on electricity at mains.

DEC1233C DEC1234C

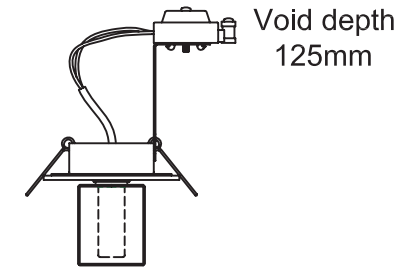
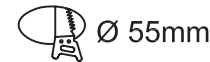


Please note! When intended for Bathroom areas always consult the IEE wiring regulations for the correct position of installation or seek expert assistance.

Not recommended for use in shower areas.




12V Low Voltage G4 20W
Crystal Round Bathroom Light **DEC1233C**



12V Low Voltage G4 20W
Crystal Square Bathroom Light **DEC1234C**



Installation Details

Cut a round hole (See  above) in ceiling and ensure adequate minimum ceiling void without infringing on joist, water pipes or electrical cables. Connect this product to a low voltage transformer supply. Always consult SELV Transformer instructions first. Fit this product as per illustration shown in (Fig 1). Do not fit onto new plaster or damp area's. This appliance will be considered Class III provided that it is mounted with a safety transformer and that it meets the current transformer regulations. (EN60742)

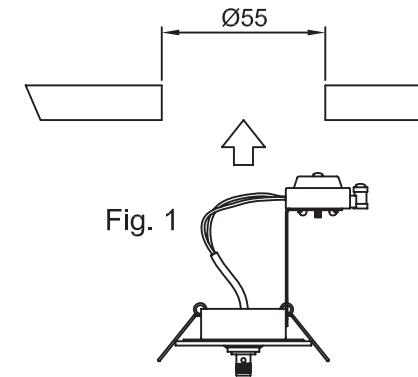


Fig. 1

Ensure there is adequate free air ventilation around fitting. The nearest illuminated surface must be at least 0.3m distance from the front of the fitting.



G4
12V Capsule Lamp
20Watt Low Voltage