

- Wire the mains cable as shown in Fig 3
- Switch on power supply and check for correct operation

### WARNING:

This product must be disconnected from the circuit if subjected to any high voltage or insulation resistance testing. Irreparable damage will occur if this instruction is not followed

### GENERAL:

The unit should be recycled in the correct manner when it reaches the end of its life. Check local authorities for where facilities exist

Clean with a soft dry cloth only, do not use aggressive cleaning products or solvents which may damage the fitting

### WARRANTY:

This product has a warranty of 1 year from date of purchase. Failure to install this product in accordance with the current edition of the IEE Wiring Regulations, improper use, or removal of the batch codes will invalidate the warranty. If this product should fail within its warranty period it should be returned to the place of purchase for a free of charge replacement. ML Accessories does not accept responsibility for any installation costs associated with the replacement product. Your statutory rights are not affected. ML Accessories reserve the right to alter product specification without prior notice.



## GENERAL INSTRUCTIONS:

These instructions should be read carefully and retained after installation by the end user for future reference and maintenance.

These instructions should be used to aid installation of the following products;

T8LB14, T8LB15, T8LB16, T8LB24, T8LB25, T8LB26

Part code	LED tube size	Length (ft)	Length (mm)
T8LB14	T8	4	1227
T8LB15	T8	5	1527
T8LB16	T8	6	1790
T8LB24	T8	4	1227
T8LB25	T8	5	1527
T8LB26	T8	6	1790

## SAFETY:

- Installation of this luminaire should only be carried out by a qualified electrician or competent person to the current Building and IEE Wiring Regulations (BS7671)
- Please isolate mains prior to installation/maintenance
- Check the total load on the circuit, including when this luminaire is fitted, does not exceed the rating of the circuit cable, fuse or circuit breaker
- Please note the IP (Ingress of Protection) rating of this luminaire when deciding the location for installation
- This product is Class I and requires an earth
- This product is IP20 rated

**NOTE: This fitting is designed and wired for self-ballasted LED T8 tubes requiring 230V AC input voltage (Not for use with fluorescent tubes).**

## INSTALLATION:

- Provide power to the point of installation
- Remove two screws on top of the fitting (see Fig 1)

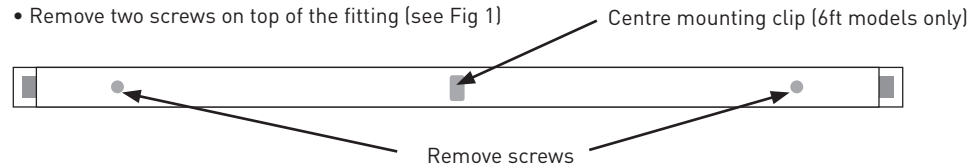
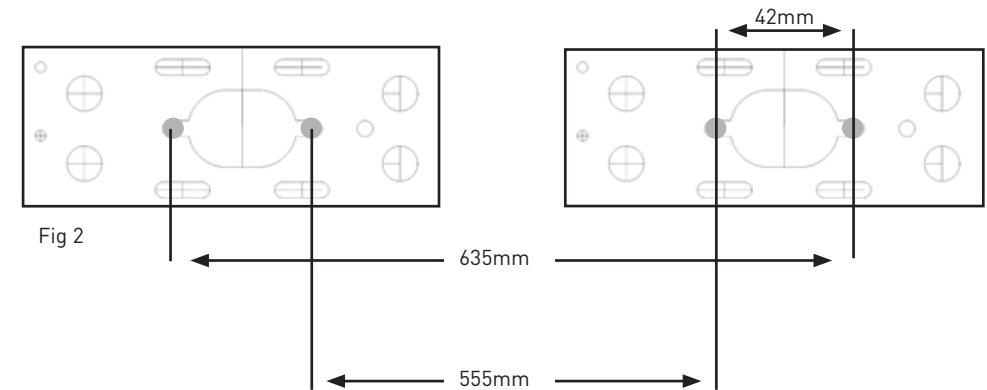


Fig 1 (single fitting shown)

- Remove the cover plate
- Mark the location of the fixing holes and drill the holes ensuring not to infringe with any joists, gas or water pipes or electrical cables
- See Fig 2 for the fixing centres



- All the products in the T8LB series have fixing centres as shown in Fig 2.
- Bring the power cable into the luminaire
- Secure luminaire to the surface
- Connect the Live (brown), Neutral (blue) and Earth (yellow and green) via the three-way terminal connector (see Fig 3)

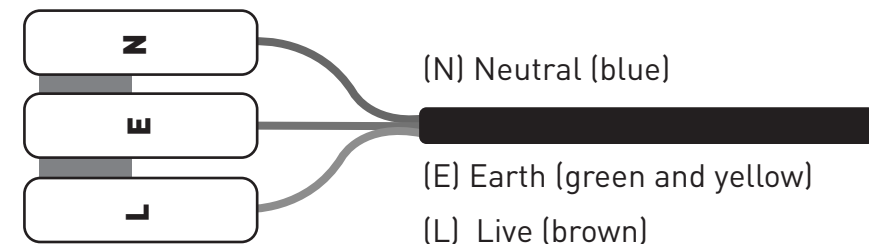


Fig 3

- Fit centre mounting clip on top cover plate (see Fig 1) ( T8LB16 & T8LB26 models only)
- Fix the T8 holders into place at either end of the fitting and attach top cover screws
- Fit an appropriate T8 LED tube (for example -the ML Accessories T8LED series)
- Switch on power supply and check for correct operation

## ALTERNATIVE POWER SUPPLY METHOD:

- The end cap can be drilled out (20mm drill bit) and a 20mm compression gland (not included) can be used (see Fig 4) to gain access to the terminal connector

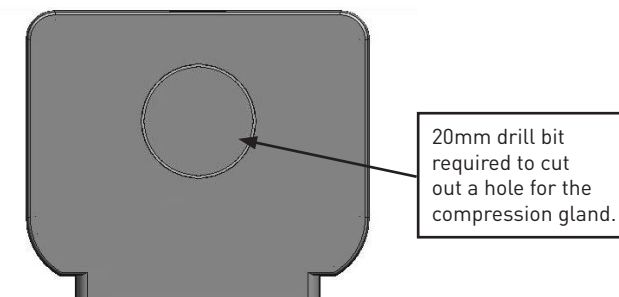


Fig 4 End cap