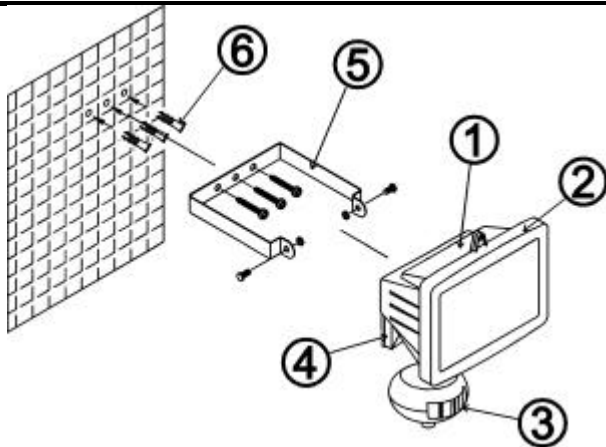


# ES65A

## MOTION SENSOR 150W FLOODLIGHT



- ① Floodlight
- ② Front Surround
- ③ PIR (Motion Sensor)
- ④ Wiring Box
- ⑤ Mounting Bracket
- ⑥ Plastic Wall Plug

### INTRODUCTION

Your EVERSPRING MOTION SENSOR 150W FLOODLIGHT is a unique indoor or outdoor lighting system for your home or business. At night, the built-in passive infrared (PIR) motion sensor turns on the floodlight when it detects motion in its coverage area. During the day, the built-in photocell saves electricity by deactivating the floodlight. An adjustable timer lets you select how long the floodlight stays on after activation.

Features:

One adjustable floodlight - allows you to install one 150W halogen bulb and adjust it to provide the optimum lighting coverage.

Two operation options - let you choose automatic operation or manual override based on the ambient light level.

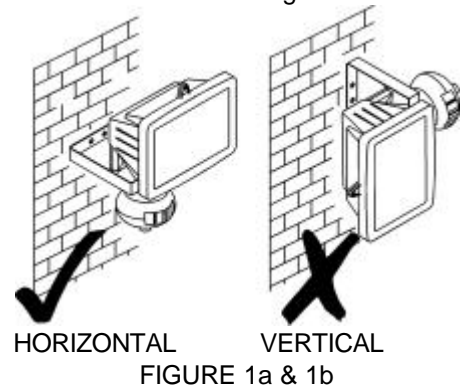
**Note : Read this entire manual before you start to install the system.**

### SAFETY PRECAUTIONS

- Do not install when it is raining.
- Be sure to switch off power source before installing.
- Make sure that the power wiring comes from circuit with a suitable fuse or circuit breaker.
- Keep minimum 0.8m away from the lighted objects.
- The adjusting screw shall not be removed. Tighten the connection of the floodlight head assembly and motion sensor to the base,

so as to avoid any rotation.

- The unit can be installed only horizontally (see the FIGURE 1a), not vertically (see the FIGURE 1b) as shown in the below drawing.



### IMPORTANT

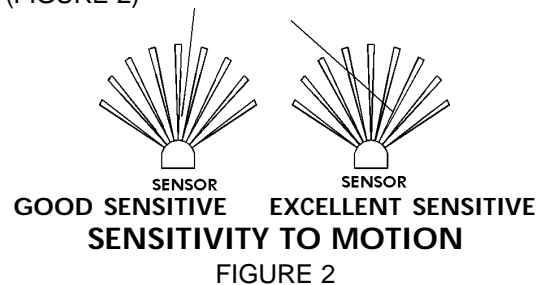
Some local building codes may require installation of this product by a qualified electrician.

Check your local codes as they apply to your situation. If the house wiring is of aluminum, consult with an electrician about proper wiring methods.

Before proceeding with the installation, TURN OFF THE POWER TO THE LIGHTING CIRCUIT AT THE CIRCUIT BREAKER OR FUSE BOX TO AVOID ELECTRICAL SHOCK.

### CHOOSING A MOUNTING LOCATION

- For the best results, fix your sensors on a solid surface, 1.8~2M above the ground.
- For outdoor installation, a location under eaves is preferable.
- Avoid aiming the motion sensor at pools, heating vents, air conditioners or objects which may change temperature rapidly.
- Do not allow sunlight to fall directly on the front of unit.
- Try to avoid pointing the unit at trees or shrubs or where the motion of pets may be detected.
- Prior to mounting, keep in mind that the motion sensor is most sensitive to the motion, which is across the detection field and less sensitive to the motion, which moves directly towards the detector. (FIGURE 2)



## BULB INSTALLATION

**CAUTION** : Always handle quartz halogen bulbs with a soft cloth. Do not touch the bulb with your bare hand as it will shorten the life of the bulb.

- (1) Do not touch the floodlight while it is in use or still hot. Allow it to cool (about 5 minutes) before touching it.
- (2) Do not use halogen bulb rated higher than 150watts.
- (3) Disconnect the power cord or wall switch. Unscrew retaining screw at base of lamp. This will release front surround.(FIGURE 3)

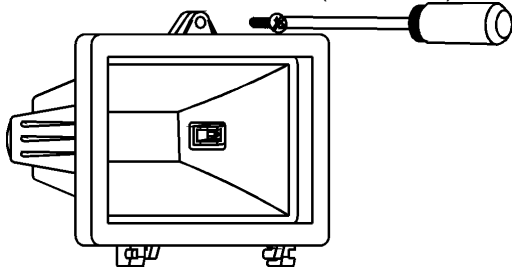


FIGURE 3

- (4) Raise front surround. Lift off retaining lugs.(FIGURE 4)

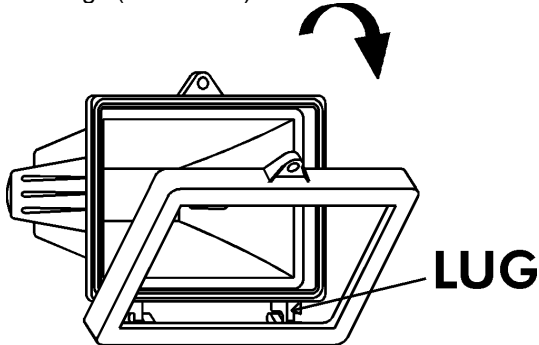


FIGURE 4

- (5) Unwrap the halogen bulb, taking care that the fingers do not touch the glass. Push one end into either of the spring loaded sockets. Locate other end on other socket and release.(FIGURE 5)

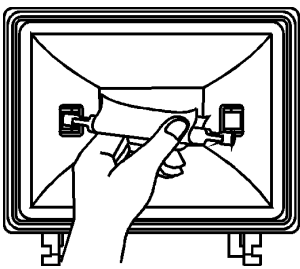


FIGURE 5

- (6) Carefully replace front surround making sure that the seal is correctly positioned. Screw up tightly. (FIGURE 6)

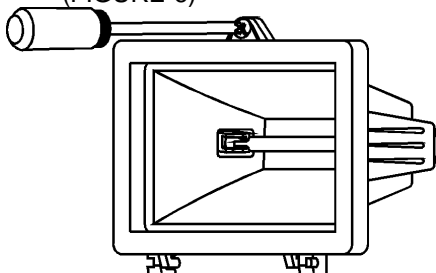


FIGURE 6

## INSTALLATION

To facilitate installation, it is essential to get a drill and a screwdriver ready. Select a location for the unit based on the coverage angles shown in FIGURE 7.

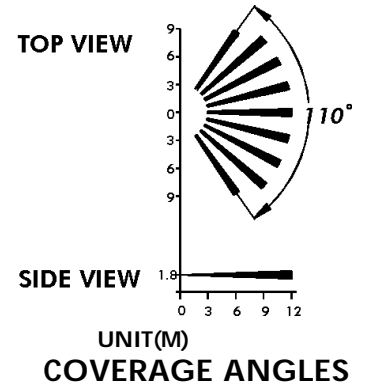


FIGURE 7

Install a wall switch adjacent to the power source. (FIGURE 8) This helps you operate AUTO and MANUAL OVERRIDE with ease. See page 5 for further information.

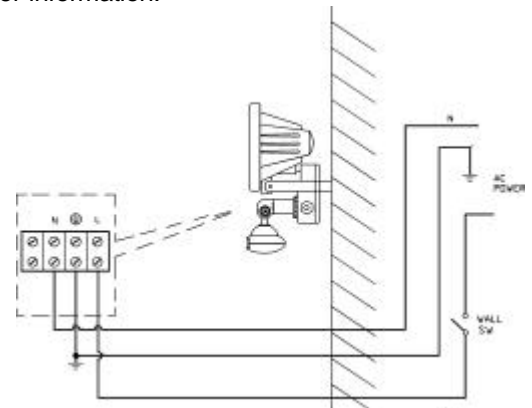


FIGURE 8

## WIRING INSTRUCTION

- (1) Switch off the power source or wall switch.
- (2) Remove the mounting bracket from the floodlight. Drill the wall and screw the bracket onto the wall using suitable plastic wall plugs and screws. Check that the bracket is securely fitted on the wall. (FIGURE 9)

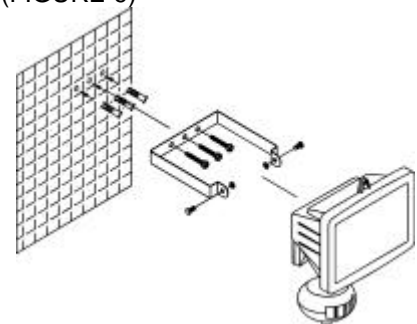


FIGURE 9

Note: Do not at this stage re-attach the floodlight to the bracket.

- (3) Remove the cover screws from the wiring box on the rear of the floodlight. Loosen two screws on the pressure block and unscrew the waterproof cable gland.
- (4) Route the power cord through the cable gland and pressure block.

**Note:** The power cord must meet H05RN-F, 3G, 1.0mm<sup>2</sup> requirement.

- (5) Strip approximately 6-8mm insulating part of the wires from the power cord. Before connection, ensure that the wiring box gasket is firmly seated in its original place.
- (6) Connect the BROWN wire (Live wire) to the terminal block "L" mark.

Connect the BLUE wire (Neutral wire) to the terminal block "N" mark.

Connect the YELLOW/GREEN wire (Ground wire) to the terminal block "⊕" mark. (If used, when the power cord has it) (FIGURE 10)

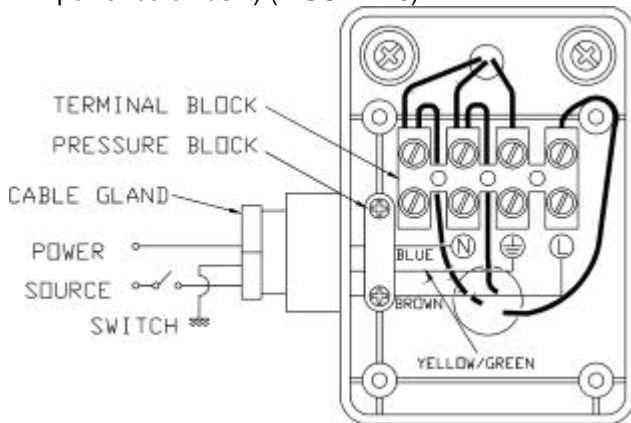


FIGURE 10

- (7) Use the pressure block to fix the power cord by fastening its two screws. Tighten the cable gland and refit the wiring box cover.
- (8) Re-attach the floodlight to the bracket and secure the cable to the wall using suitable clips. Ensure that the cable is not touching the body of the floodlight, and that there is sufficient slack in the cable to allow the floodlight to be tilted and adjusted as required, which should be done by grasping the metal body of the floodlight, not its rear wiring box.

## SETTING THE LIGHTING SYSTEM

### (1) TEST MODE

- Turn the Motion Sensor Lite control and the Time control clockwise to the edge – the TEST position (FIGURE 11).

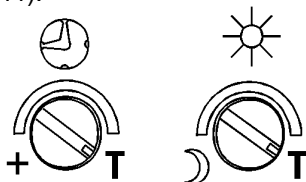


FIGURE 11

- Turn on the wall switch. The floodlight will turn on for about 1 minute to warm up. Then it turns off.
- Walk through the detection area. The floodlight turns on when you move and turns off when you stop. Wait for the floodlight to turn off before moving again to test the sensor.
- Adjust the motion sensor to cover the desired detection area. For a smaller coverage area, point the sensor down; for a larger coverage area, point the sensor up.

### (2) TIME ADJUSTMENT

The TIME adjustment controls how long the floodlight will stay on after the motion has been detected.

Turn the Motion Sensor TIME control knob counter-clockwise to increase (up to about 12 minutes) how long the floodlight stays on or clockwise to decrease (down to about 5 seconds) the time delay.

(FIGURE 12)

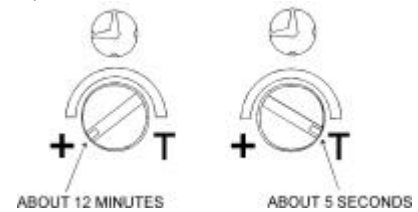


FIGURE 12

### (3) LITE ADJUSTMENT

The LITE adjustment determines at what light level the lighting system will start operating when you set the sensor to automatic operation.

Provisionally turn the Motion Sensor LITE control knob to the edge counter-clockwise at the moon (dusk) position (FIGURE 13). In this provisional setting mode, the Motion Sensor remains inactive during daylight. At dusk when you find it is the LUX level desired for operation, simply set the LITE control knob to the position which will become active as daylight declines.

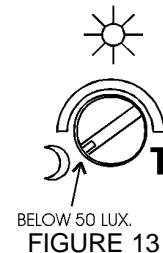


FIGURE 13

## OPERATION

By using wall switch to your ES65A, you can easily select one of two modes of operation: automatic operation and manual override.

### (1) AUTOMATIC OPERATION

Turn on the wall switch. When the sensor detects motion, the floodlight automatically turns on. The built-in photocell turns the sensor off and on according to the light level selected by the LITE adjustment.

### (2) MANUAL OVERRIDE

To keep the floodlight on regardless of the motion, you can override the automatic operation. Turn the wall switch off and on within 2 seconds.

In Manual Override mode, the floodlight will remain on.

Users can also set the motion sensor back to Auto operation by turning off the wall switch for at least 10 seconds and then turn it back on.

## TROUBLESHOOTING

### Light does not turn on

- Confirm that you have made a correct “ wiring connection” .
- Make sure that the bulbs have not burned out.

### Light remains on

- Make sure the wiring connection is correct.
- If you set the system to manual override, remember that you must turn the wall switch off for at least 10 seconds to switch the sensor to automatic operation and turn off the lights.
- Check if the TIME setting is correct.

### Others

- The specification of protective shield shall consult to local service agent.

## SPECIFICATIONS

Detection Method	Passive infrared
Power Requirement	AC 220 ~ 240V/ 50Hz
Lighting Load	Max. 150W Halogen Bulb
Standby Current	30mA (Max.)
Operating Current	35mA (Max.)
Power Cord Requirement	H05RN-F,3G,1.0mm <sup>2</sup>
<b>Sensor Power</b>	
Protection Class	Class I
Waterproof	IP44
<b>Operating</b>	
Temperature	-20° C to + 40° C
Detection Range	12M at 20° C
<b>Sensor Adjustments</b>	
Swiveling Angle	Horizontal 330° Vertical 30°
Detection Angle	110°
Warm Up Time	About 1 minute
Time Adjustment	From 5± 3 seconds to 12± 3 minutes
Lux Adjustment	From 0 Lux to 1,000 Lux.
Mounting Height	1.8 to 2M (5.9 to 6.6 Feet) Wall Mount
Switch Function	Off/Auto/Manual Override
<b>Halogen Adjustments</b>	
Adjustable Angle	Vertical 180°

