



Bastia LED Range

Lanterns



Data Sheet

Product Information

The Bastia range of LED lanterns consisting of 4 lanterns. 2 four sided lanterns and 2 six sided lanterns both with or without PIR sensor. The non PIR versions can be constructed as either upward or downward lanterns.

The PIR versions can only be mounted as upward lanterns. Suitable for use in high saline coastal areas. Integral driver and 3000K 8W LED.

Complete with 2 year warranty.

Product Features

- 2 year warranty
- IP44
- Class II
- 8W 3000K LED
- Suitable for High Saline areas
- Non Dimmable
- 4 sided or 6 sided options
- PIR versions available
- Non PIR versions can be constructed to be either an upward or downward lantern

Product Specification

Product Code	Product Description	Wattage (W)	Lumens (lm)	CRI (Ra)	PIR	Energy Efficiency Class	Protection Class
KSR1512 BLK	Bastia 8W 4 sided upward/downward Lantern Black	8	419	85	No	A	II

Nominal voltage	220-240VAC
Operating frequency	50/60Hz
IP rating	44
Start time	<0.5 sec

Construction

Body: PP (Polypropylene)
Diffuser: PC (Polycarbonate)

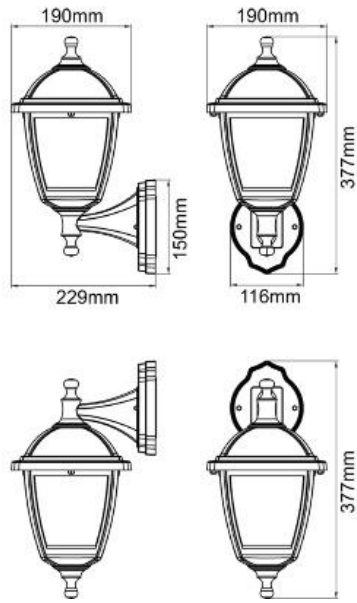
Standards

BSEN60598-1:2015 Luminaires – Part 1: General requirements and tests

In Conformity with

LVD Low voltage directive 2014/35/EU
ERP Energy related products directive 2009/125/EC
RoHS Restriction of hazardous substances 2011/65/EU

Product Dimensions



KSR Lighting is constantly developing and improving its products. For this reason, all product descriptions in this data sheet are intended as a general guide, and KSR may change specifications from time to time in the interest of product development, without prior notification or public announcement. All descriptions in this data sheet present only general particulars of the goods to which they refer and shall not form part of any contract. Data in this guide has been obtained in controlled experimental conditions. However, KSR Lighting cannot accept any liability arising from the reliance on such data to the extent permitted.