



Talara CCT LED Bollard

Bollards



Data Sheet

Product Information

The 3 CCT Talara LED Bollard are a 3 in one solution for uses in exterior applications where the option to be able to adjust the colour to suit the application is required at the flick of a switch. These are ideal for pathways, security lighting and entrance lighting applications.

Complete with a 2 year warranty

Product Features

- 2 year warranty
- Class II
- IP65
- High CRI >82
- Instant on
- 3 switchable Colour temperatures 3000K/4000K/6000K
- Non-Dimmable
- Available in 3 heights 450mm, 750mm and 1000mm
- 125° beam angle
- Root mount kit available
- L70/25,000hrs

Product Specification

Product Code	Product Description	Wattage (W)	CCT (K)	Lumens (lm)	CRI (Ra)	Energy Efficiency Class	Protection Class
GL9985	Talara 15w CCT 450mm Stainless Steel Bollard	15	3000	1595	82	A+	II
			4000	1710	87		
			6000	1600	85		
GL9986	Talara 15w CCT 750mm Stainless Steel Bollard	15	3000	1595	82	A+	II
			4000	1710	87		
			6000	1600	85		
GL9987	Talara 15w CCT 1000mm Stainless Steel Bollard	15	3000	1595	82	A+	II
			4000	1710	87		
			6000	1600	85		
Accessories							
GL9988	Talara Root Mounting Kit						

Nominal voltage	220~240VAC
Operating frequency	50-60Hz
Circuit Wattage	15.1w including Driver (4000K Output)
Circuit Current	0.066A
Driver Current Rating	260mA
PFC	0.91
In Rush Current	0.73 Amps Max Peak
Start Time	< 0.5 Sec
Ambient temperature range	-15°C to +40°C
IP rating	65

Construction

Body: Stainless Steel
 Lens: Polycarbonate

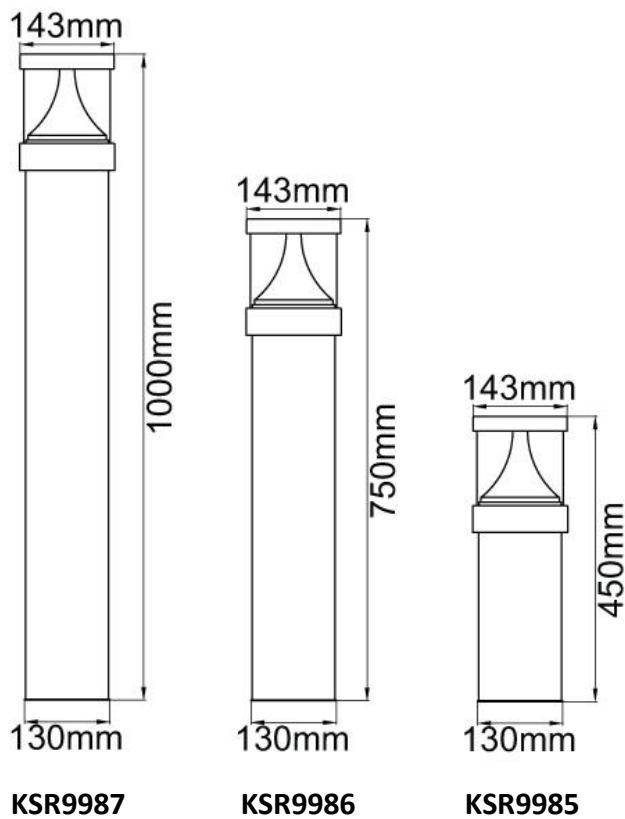
Standards

BSEN60598-1:2015 Luminaires – Part 1: General Requirements and tests

In Conformity with

LVD Low voltage directive 2014/35/EU
 EMC Electromagnetic compatibility directive 2014/30/EU
 ERP Energy related products directive 2009/125/EC
 RoHS Restriction of hazardous substances 2011/65/EU

Product Dimensions



TLC is constantly developing and improving its products. For this reason, all product descriptions in this data sheet are intended as a general guide, and TLC may change specifications from time to time in the interest of product development, without prior notification or public announcement. All descriptions in this data sheet present only general particulars of the goods to which they refer and shall not form part of any contract. Data in this guide has been obtained in controlled experimental conditions. However, TLC cannot accept any liability arising from the reliance on such data to the extent permitted.